



2023-V1.0-0512

Specifications

LED Power Supplies

PGDH-200V Series, 200W

PAIRUI ELECTRONICS

No. 545 Museum Road
Yangzhou, Jiangsu
China 225009

Tel: 86 (514) 8279 1592

Fax: 86 (514) 8769 3159

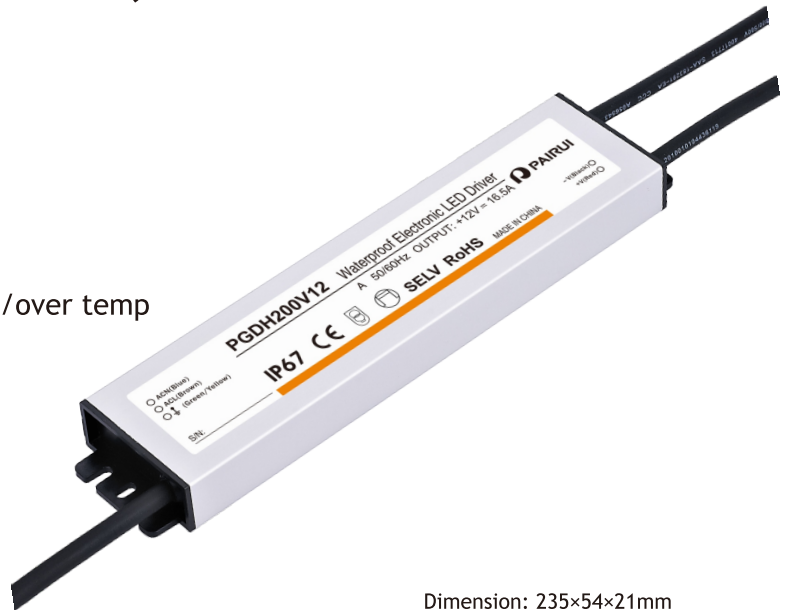
2023

LED Power Supplies

PGDH-200V SERIES, 200WATT, IP67 RATING

Features

- Constant voltage design, ultra thin design
- 180-264VAC input range
- Small volume, low weight, high efficiency
- Protections: short circuit/over load/over voltage/over temp
- Cooling by free air convection
- Fully encapsulated with IP67 level
- 100% full load burn-in test
- 2 Years warranty



Dimension: 235×54×21mm

Applications

- ✓ Street Light
- ✓ Tunnel Light
- ✓ Flood Light
- ✓ Other Light Fixtures for Outdoor Use

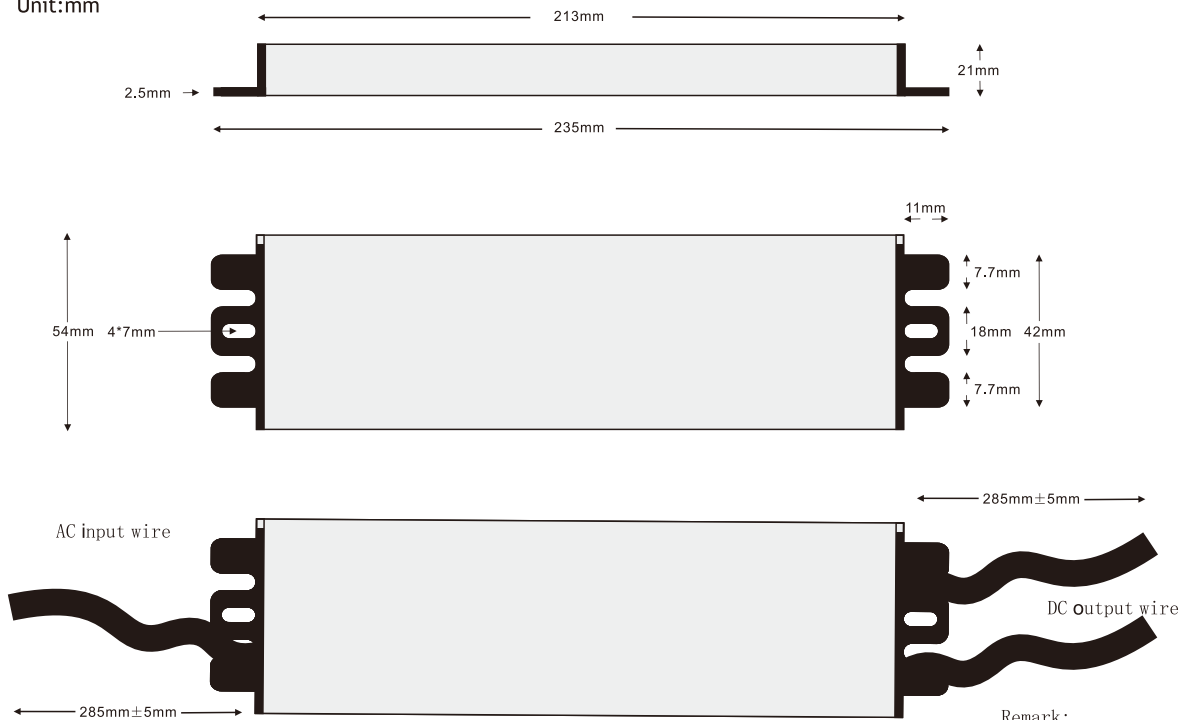
	Model	PGDH200V12	PGDH200V24	PGDH200V36
Output	DC voltage	12V	24V	36V
	Voltage tolerance	± 3%	± 2%	± 2%
	Rated current	16.7A	8.4A	5.6A
	Current range	0 ~ 16.7A	0 ~ 8.4A	0 ~ 5.6A
	Rated power	200.4W	201.6W	201.6W
	Ripple&noise	180mVp-p	360mVp-p	360mVp-p
	Setup,rise,hold up time	500ms,10ms,10ms/230VAC		
Input	Voltage range	180~264VAC 47 ~ 63Hz,255 ~ 373VDC		
	AC current	1.7A/230VAC		
	Efficiency	92%	93%	93.5%
	Inrush current	Cold start 80A/230VAC		
	leakage current	< 0.75mA/240VAC		
Protection	Overload	Rated output power105%~115%Start overload protection		
		Protection type: hiccup mode, auto-recovery after fault condition is removed		
	Over voltage	15.8 ~ 18V	30.6 ~ 33.6V	44 ~ 48.6V
		Protection type: hiccup mode, auto-recovery after fault condition is removed		
Over temperature	110°C ± 10°C(detected on Mosfet)			
	Protection mode: cutoff output, auto-recovery after temperature become normal			
Environment	Working temp,humidity	-30°C~+60°C;20%~90%RH(Please refer to“derating curve”)		
	Storage temp,humidity	-40°C~+85°C;10%~95%RH Non-condensing		
	Withstand vibration	10~500Hz, 5G 10min./1Cycle, Period for 60min, Each axes		
Safety	Withstand voltage	I/P-O/P: 1.5KVAC I/P-FG: 1.5KVAC O/P-FG: 0.5KVAC		
	Isolation resistance	I/P-O/P: I/P-FG,O/P-FG: 100M Ohms/500VDC		
fit standard	Safety standard	Compliance to IEC 62368-1, EN 62368-1		
	EMC Standard	Compliance to EN 55032 Class A,EN 61000-3-2,3,EN 55024,EN 61000-4-2,3,4,5,6,8,11		
Others	MTBF	290K hrs min. MIL-HDBK-217F(25°C)		
	Weigh/Dimensio	235*54*21mm (L*W*H)		
	Packing	0.56kg/36pcs/20.8kg/0.025m³/0.91CUFT		

Note:

1. All parameters NOT specially mentioned are measured at 230VAC input, rated load and 25°C of ambient temperature.
2. Ripple & noise are measured at 20MHz of bandwidth by using a 12" twisted pair-wire terminated with a 0.1uf & 47uf parallel capacitor.
3. Tolerance : includes set up tolerance, line regulation and load regulation.

Mechanical specification

Unit:mm

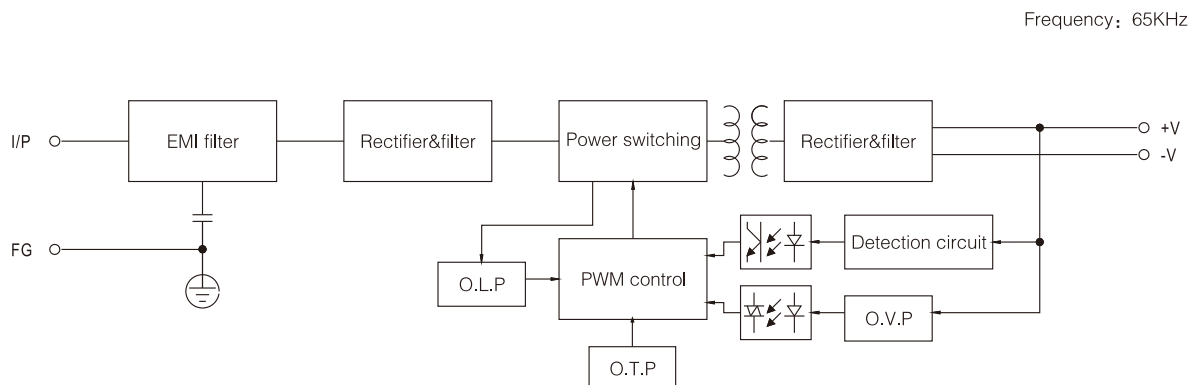


Remark:
dual output wire for 12V type
single output wire for 24V type

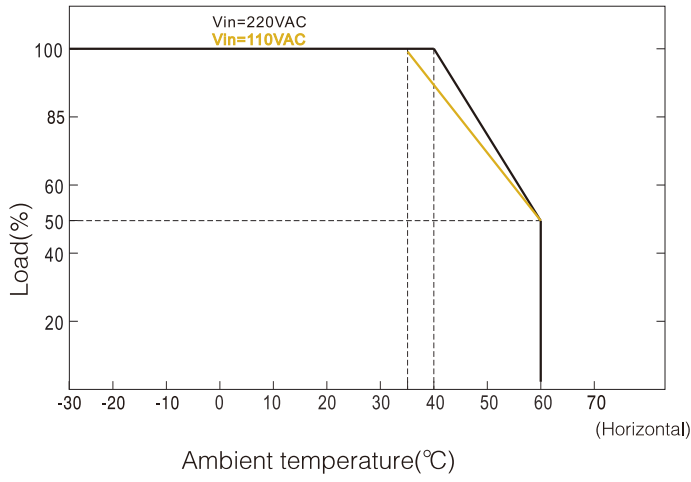
Lead-out wire assignment

Input(Black three-core)		Output (White two-core)	
Brown	AC/L	Red	DC OUTPUT +V
Blue	AC/N	Black	DC OUTPUT -V
Yellow-green	FG \perp		

Block diagram



Derating curve



Static characteristic

