



2023-V1.0-0512

Specifications

LED Power Supplies

PGDW-36V Series, 36W

PAIRUI ELECTRONICS

No. 545 Museum Road
Yangzhou, Jiangsu
China 225009

Tel: 86 (514) 8279 1592

Fax: 86 (514) 8769 3159

2023

LED Power Supplies

PGDW-36V SERIES, 36WATT, IP67 RATING

Features

- Constant voltage design
- 180-264VAC input range
- Small volume, low weight, high efficiency
- Protections: short circuit/over load/over temperature
- Cooling by free air convection
- Fully encapsulated with IP67 level
- 100% full load burn-in test
- 2 Years warranty



Dimension: 222×30×20mm

Applications

- ✓ Street Light
- ✓ Tunnel Light
- ✓ Flood Light
- ✓ Other Light Fixtures for Outdoor Use

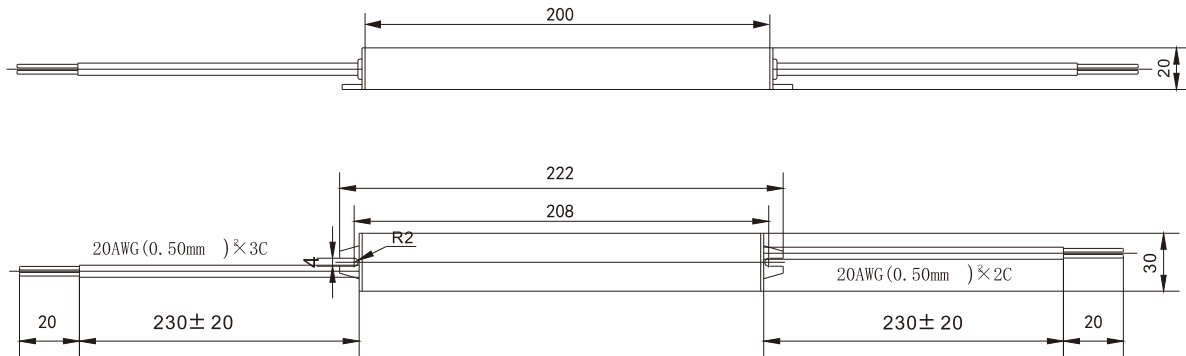
	Model	PGDW036V12	PGDW036V24	PGDW036V36
Output	DC voltage	12V	24V	36V
	Voltage tolerance	± 3%	± 2%	± 2%
	Rated current	3A	1.5A	1A
	Current range	0 ~ 3A	0 ~ 1.5A	0 ~ 1A
	Rated power	36W	36W	36W
	Ripple&noise	100mVp-p	100mVp-p	150mVp-p
	Setup, rise, hold up time	800ms, 20ms, 24ms/230VAC		
Input	Voltage range	180 ~ 264VAC 47 ~ 63Hz, 235 ~ 373VDC		
	AC current	0.42A/230VAC		
	Efficiency	80%	82%	83%
	Inrush current	Cold start 30A/230VAC		
	leakage current	< 0.5mA/240VAC		
Protection	Overload	Rated output power 115%~150% Start overload protection		
		Protection type: hiccup mode, auto-recovery after fault condition is removed		
Protection	Over temperature	When temperature of transistor inner node is over 150°C±10°C, Start over temp protection		
		Protection mode: cutoff output, auto-recovery after temperature become normal		
Environment	Working temp, humidity	-20°C~+60°C; 20%~90%RH (Please refer to "derating curve")		
	Storage temp, humidity	-40°C~+85°C; 10%~95%RH Non-condensing		
	Withstand vibration	10~500Hz, 5G 10min./1Cycle, Period for 60min, Each axes		
Safety	Withstand voltage	I/P-O/P: 1.5KVAC I/P-FG: 1.5KVAC O/P-FG: 0.5KVAC		
	Isolation resistance	I/P-O/P: 100M Ohms/500VDC		
Fit standard	Safety standard	Compliance to IEC62368-1, UL62368-1, EN62368-1, IEC61347-1, UL61347, EN61347-1		
	EMC Standard	Compliance to EN55015 (CISPR22) Class A, GB9254 Class A, EN55014, EN61000-3-2, 3		
Others	MTBF	950K hrs min. MIL-HDBK-217F (25°C)		
	Dimension	222*30*20mm (L*W*H)		
	Packing	0.26kg/100pcs/26kg/0.03m³/1.06CUFT		

Note:

1. All parameters NOT specially mentioned are measured at 230VAC input, rated load and 25°C of ambient temperature.
2. Ripple & noise are measured at 20MHz of bandwidth by using a 12" twisted pair-wire terminated with a 0.1uF & 47uF parallel capacitor.
3. Tolerance : includes set up tolerance, line regulation and load regulation.

Mechanical specification

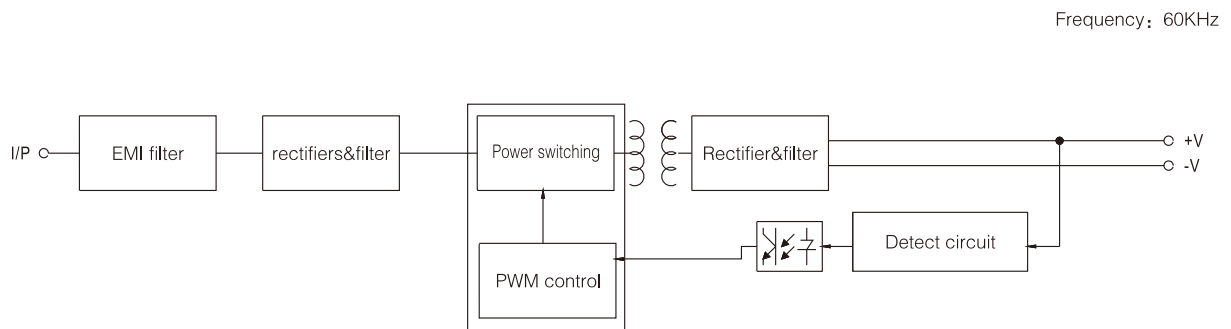
Unit:mm



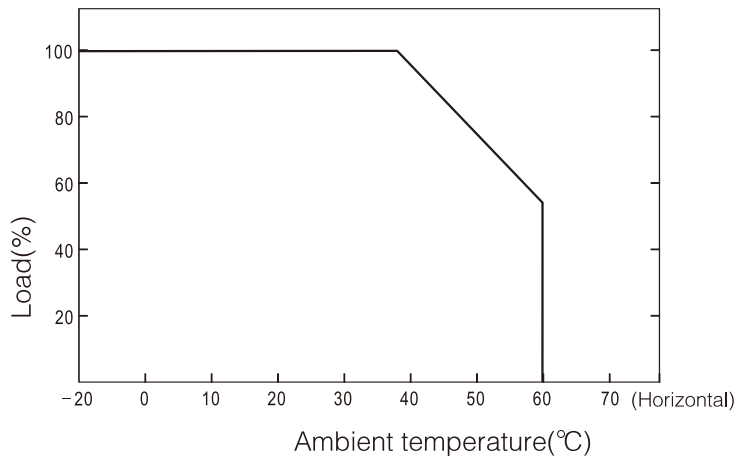
Lead-out wire assignment

Input(Black three-core)		Output (White two-core)	
Brown	AC/L	Red	DC OUTPUT +V
Blue	AC/N	Black	DC OUTPUT -V
Yellow-green	FG \perp	Shell connect with earth	

Block diagram



Derating curve



Static characteristic

