



2023-V1.0-0512

Specifications

LED Power Supplies

PGMW-240V Series, 240W

PAIRUI ELECTRONICS

No. 545 Museum Road
Yangzhou, Jiangsu
China 225009

Tel: 86 (514) 8279 1592

Fax: 86 (514) 8769 3159

2023

LED Power Supplies

PGMW-240V SERIES, 240WATT, IP67 RATING

Features

- Universal AC input range
- Fully encapsulated with IP67 level
- Protections: short circuit,over load,over voltage,over temperature
- Cooling by free air convection
- Built in active PFC function,PF \geq 0.95
- Efficiency up to 92%
- 100% full load burn-in test
- Suitable for LED lighting and moving sign applications
- Compliance to worldwide safety regulations for lighting
- 5 Years warranty







 IP67 SELV RoHS



Dimension: 244×71×37.5mm

Applications

- ✓ Street Light
- ✓ Tunnel Light
- ✓ Flood Light
- ✓ Other Light Fixtures for Outdoor Use

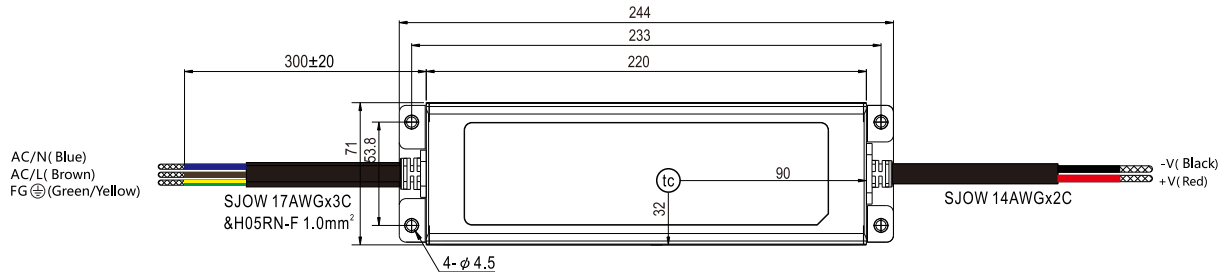
	Model	PGMW240V12	PGMW240V24
Output	DC voltage	12V	24V
	Rated current	20A	10A
	Current range	0~20A	0~10A
	Rated power	240W	240W
	Ripple&noise	150mVp-p	150mVp-p
	Voltage tolerance	± 2.0%	± 1.0%
	Line regulation	± 0.5%	
	Load regulation	± 1.5%	± 1.5%
	Setup,rise,hold time	2500ms,20ms,24ms/230VAC	1500ms,20ms,24ms/115VAC at full load
Input	Voltage range	100~240VAC	50/60Hz
	AC current	4.0A/115VAC	2.0A/230VAC
	Efficiency	89%	92%
	Power factor	PF≥0.95/230VAC	PF≥0.98/115VAC (at full load)
	Total Harmonic Distortion	THD<20% (90/264VAC input,output load>50%)	
	Inrush current	Cold start 55A/230VAC (twidth=880µs measured at 50% Ipeak)	
	Leakage current	< 2mA/240VAC	
Protection	Overload	110~140% rated output power Start overload protection Protection type: Hiccup mode□ auto-recovery after fault condition is removed	
	Over voltage	13.8~16.2V	27.6~32.4V
	Over temperature	105°C±10°C(RTH3 detect at transformer side) Protection type: Shut down output voltage, recovers automatically after temperature goes down	
Environment	Working temperature	-30°C~+40°C(Please refer to“derating curve”)	
	Working humidity	20%~90%RH Non-condensing	
	Storage temp,humidity	-40°C ~ +85°C;10%~95%RH	
	Temp.coefficient	± 0.03%/°C (0~50°C)	
	Vibration	10~500Hz, 5G 12min./1Cycle, Period for 72min, Each axes	
Safety& EMC	Safety standards	Compliance to UL 1020,CAN/CSA-C22.2No. 107.1-01,UL 8570,CSA C22.2 No,250.0-08, Compliance to EN 61347-1,EN 61347-2-13 , EN 60335-1, EN 62368-1 IP67 certificated,J61347-1,J61347-2-13	
	Withstand voltage	I/P-O/P:3KVAC I/P-FG:2KVAC O/P-FG:0.5KVAC	
	Isolation resistance	I/P-O/P: 100M Ohms/500VDC/25°C/70%RH	
	EMC emission	Compliance to EN 55015- CLASS B, EN 55014- CLASS B,EN 61000-3-2,EN 61000-3-3	
	EMC immunity	Compliance to EN 61000-4-2,3,4,5,6,8,11; EN 61547, EN 55024	
Others	MTBF	220K hrs min.	MIL-HDBK-217F(25°C)
	Dimension	244*71*37.5 mm (L*W*H)	
	Packing	1.3kg/20pcs/27kg/0.025m³/1.15CUFT	

Note:

1. All parameters NOT specially mentioned are measured at 230VAC input, rated load and 25°C of ambient temperature.
2. Ripple & noise are measured at 20MHz of bandwidth by using a 12" twisted pair-wire terminated with a 0.1uf & 47uf parallel capacitor.
3. Tolerance : includes set up tolerance, line regulation and load regulation.
4. The power supply is considered as a component that will be operated in combination with final equipment. Since EMC performance will be affected by the complete installation, the final equipment manufacturers must re-qualify EMC Directive on the complete installation again.
5. Suitable for indoor use or outdoor use without direct sunlight exposure.Please avoid immerse in the water over 30 minute.
- 6.Derating may be needed under low input voltage.Please check the static characteristics for more details.
- 7.Length of set up time is measured at first cold start.Turning ON/OFF the power supply may lead to increase of the set up time.
- 8.The external flexible cable or cord of this luminaire cannot be replaced; if the cord isdamaged, the luminaire shall be destroyed.

Mechanical specification

Unit:mm



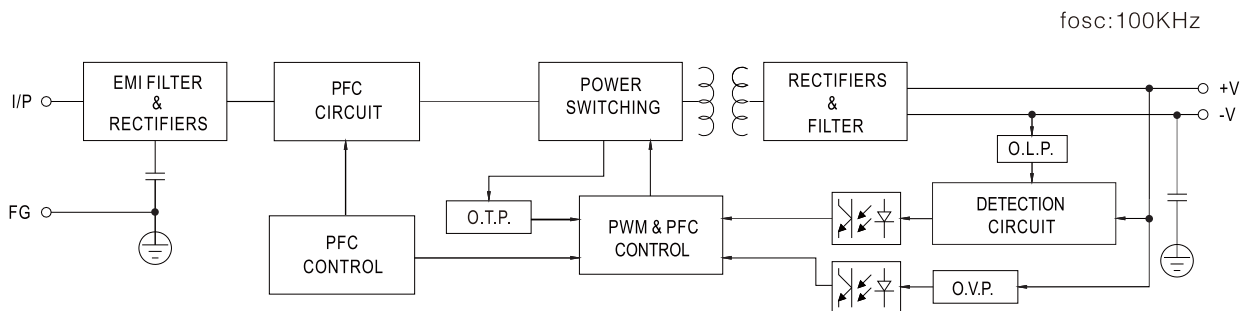
• (tc) : Max. Case Temperature



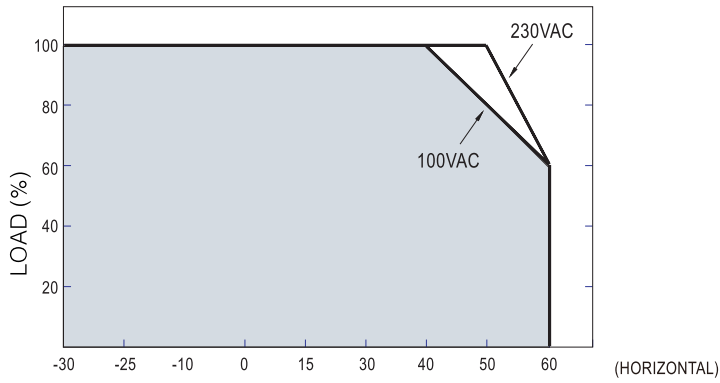
Lead-out wire assignment

Input(three-core)		Output (two-core)	
Brown	AC/L	Red	DC OUTPUT +V
Blue	AC/N	Black	DC OUTPUT -V
Green/Yellow	FG ⊕		

Block diagram



Derating curve



Static characteristic

