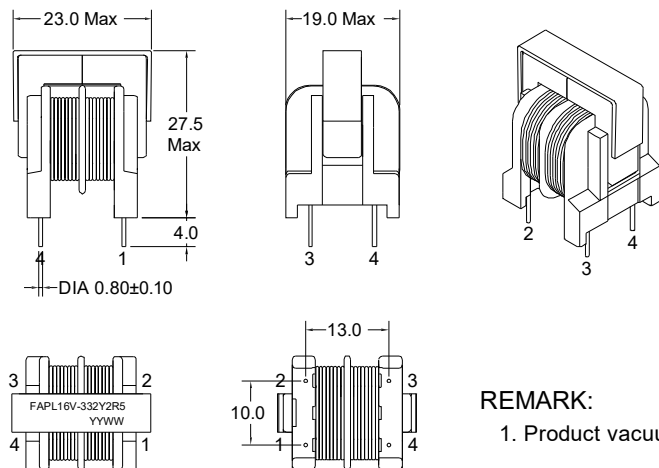


P/N: FAPL16V-332Y2R5

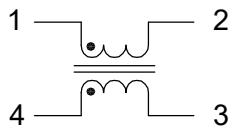


### Outline Dimensions (Unit:mm)



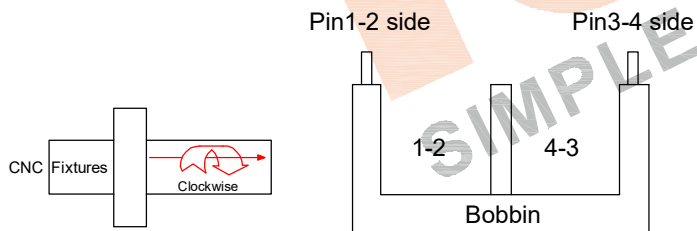
REMARK:  
1. Product vacuum impregnation.

### Electrical Schematic



"•" Polarity point

### Winding Construction:



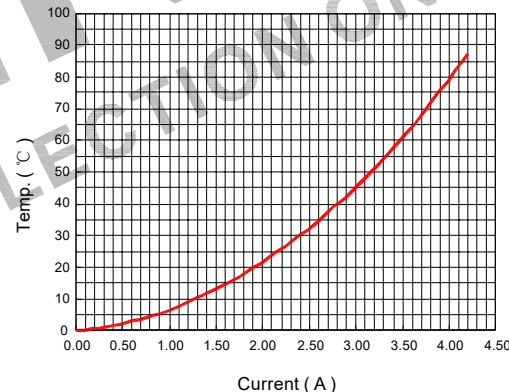
### Electrical Characteristics

Inductance : 3.3mH Min, at 10KHz, 0.1V.  
 Rated current : 2.5Amps.  
 D.C. Resistance : 0.12 ohms Max.  
 Turns Ratio : Wdg1:Wdg2=1:1±1%, at 20KHz, 1V.  
 Hipot : Coil-Coil : 1500VAC/3mA/2S.

### General Properties:

Operating Temperature:-40°C to +125°C  
 (Temperature rise included).  
 Storage Temperature:-25°C to +85°C.  
 Storage Humidity:RH10%~70%.  
 Weight: ≈20.0g

### Current VS Temp. (Simulation test)



### List of UL Certificate:

No.	Part Name	Mat'l Description	Supplier	UL Number
1	Bobbin	UU-1601-1 /T375J	Chang Chun Plastics Co Ltd	E59481
2	Copper wire	2UEW-F/155C	Dong Guan YiDa Industrial Co Ltd	E344055
3	Core	UU16-H10K	Fuan	N/A
4	Clip	UU16/SUS301	Chuangshun Hardware Electronic Factory	N/A
5	Varnish	T-4260(a)/MW80-C	SuZhou TaiHu Electric Advanced Material Co Ltd	E228349

Tianchang Fuan Electronic Co Ltd  
 www.fuantronics.net  
 TEL: +86-550-7814888  
 FAX: +86-550-7831133



Tolerances unless otherwise specified:  
 (X)±0.50 (XX)±0.25  
 Unit of measurement: mm

Make: *Junke*  
 Checked: *BenSon*  
 Approved: *AmSon*

**DRAWING TITLE**  
 UU16 COMMON-CODE  
 FILTER INDUCTOR

Material Number: A24PL16XA300

Customer P/N:  
 Document/Rev: 2201127/00  
 Specification Sheet: 1 of 1  
 Date of Recognition: Jan./02/2021

REV	DESCRIPTION	APPD	DATE