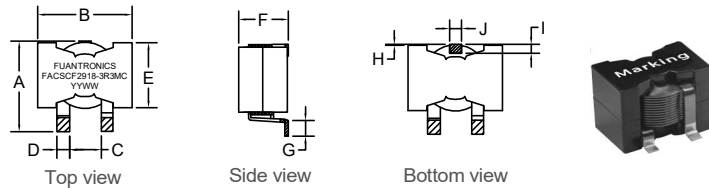


P/N: FACSCF2918-3R3MC

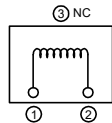


Outline Dimensions(Unit:mm)

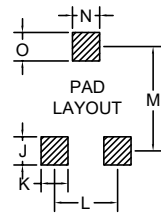


| A | B | C | D | E | F | G | H | I | J |
|------|------|-------|-------|------|------|------|------|------|------|
| Max | Max | ±0.50 | ±0.30 | Max | Max | Min | REF | REF | REF |
| 27.9 | 27.9 | 6.63 | 3.80 | 19.7 | 17.8 | 3.80 | 0.50 | 2.50 | 3.00 |

Electronical Schematic



Suggested Pad layout



| | |
|---|----------|
| J | 6.00 REF |
| K | 6.00 REF |
| L | 10.4 REF |
| M | 22.8 REF |
| N | 6.00 REF |
| O | 5.50 REF |

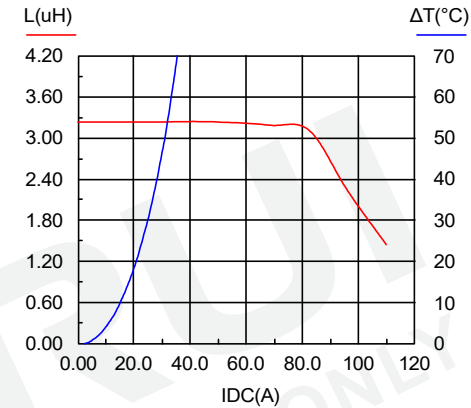
- ***Assemblage design, sturdy structure.
- ***High inductance, high current, low magnetic loss, low ESR, small parasitic capacitance.
- ***Flat wire winding, achieve a low D.C. Resistance.
- ***Temperature rise current and saturation current is less influenced by environment.

Electrical Characteristics(@25°C)

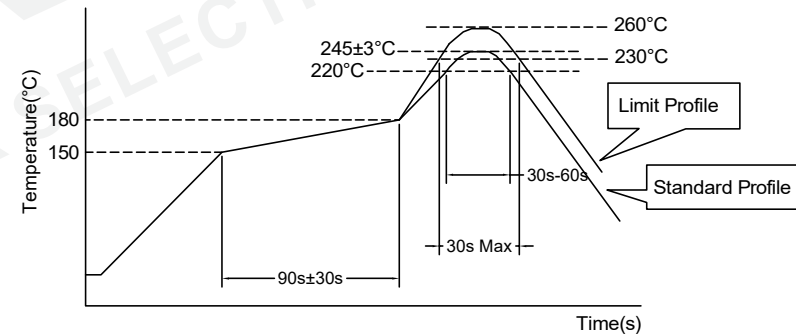
| Inductance 100KHz,0.1V | DC Resistor | Saturated current 91A | Temperature rise current 28A |
|---------------------------|-------------|-----------------------------|------------------------------------|
| 3.30uH±20% | 2.86mΩ Max | L(91A)=80%*L0A Typ | T≤40°C Typ |

- ***Saturation current: the actual value of DC current when the inductance decrease 20% of its initial value.
- ***Temperature rise current: the actual value of DC current when the temperature rise is ΔT40°C(Ta=25°C).
- ***Operating Temperature: -40°C~+125°C. (Temperature rise included)
- ***Storage Temperature: -40°C~+125°C.
- ***Storage Humidity:RH10%~70%.

Saturation current VS temperature rise current curve:



Recommended Soldering Temperature Graph.



| | Standard Profile | Standard Profile |
|------------------|---------------------|---------------------|
| Pre-heating | 150~180°C,90s±30s | |
| Heating | above 220°C,30s-60s | above 240°C,30s Max |
| Peak temperature | 245°C±3°C | 260°C,10s |
| Cycle of reflow | 2 times | 2 times |

| | | | | | | | | |
|-----|-------------|------|------|---|---|-----------------------|---|-----------------------------------|
| REV | DESCRIPTION | APPD | DATE | Tianchang Fuan Electronic Co Ltd www.fuantronics.net TEL: +86-550-7814888 FAX: +86-550-7831133 | Tolerances unless otherwise specified: (.X)±0.50 (.XX)±0.25 Unit of measurement: mm | Make: Qiumei.Liu | DRAWING TITLE HIGH CURRENT POWER INDUCTORS | Customer Name: |
| | | | | | | Checked: Beson. zhan | | Material Number: A342918XS030 |
| | | | | | | Approved: Anson. zhan | | Specification Sheet: 1 of 1 |
| | | | | | | | | Date of Recognition: Jan./02/2020 |