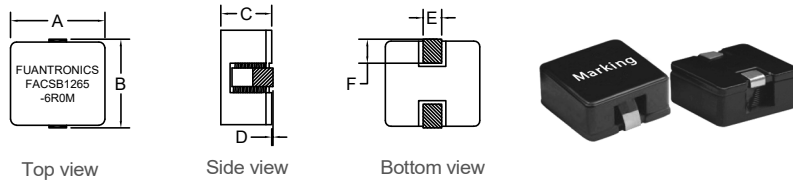


P/N: FACSB1265-6R0M

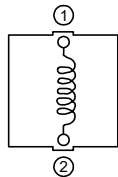


Outline Dimensions(Unit:mm)



| A | B | C | D | E | F |
|-------|-------|-------|-------|-------|-------|
| ±0.50 | ±1.00 | ±0.30 | | ±0.50 | ±1.00 |
| 12.8 | 13.0 | 6.20 | 0-0.2 | 2.50 | 3.00 |

Electrical Schematic



Suggested Pad layout



| | |
|---|----------|
| H | 5.50 REF |
| I | 4.50 REF |
| J | 6.00 REF |

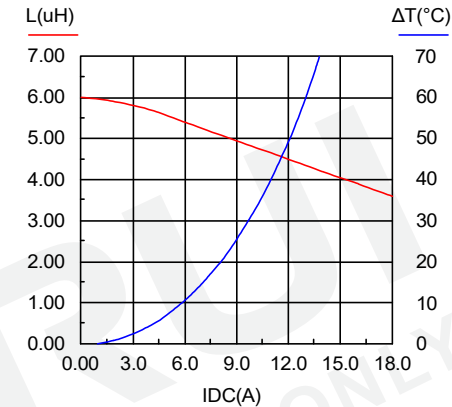
- ***Magnetic shielded structure: excellent resistance to electro magnetic interferenc(EMI).
- ***Flat wire winding, achieve a low D.C. Resistance.
- ***Low loss, high efficiency, wide application frequency and application scope.
- ***Lightweight design, save space, suitable for high density SMT.

Electrical Characteristics(@25°C)

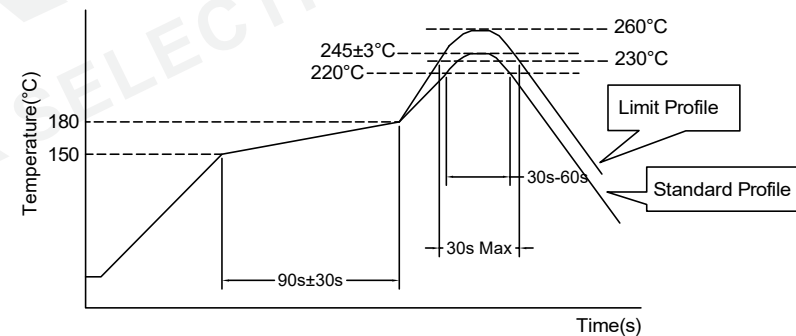
| Inductance 100KHz,0.1V | DC Resistor | Saturated current 14A | Temperature rise current 12A |
|---------------------------|-------------|-----------------------------|------------------------------------|
| 6.00uH±20% | 9.20mΩ Max | L(14A)=70%*L0A Typ | T≤50°C Typ |

- ***Saturation current: the actual value of DC current when the inductance decrease 30% of its initial value.
- ***Temperature rise current: the actual value of DC current when the temperature rise is ΔT50°C(Ta=25°C).
- ***Operating Temperature: -40°C~+125°C.
(Temperature rise included)
- ***Storage Temperature: -40°C~+125°C.
- ***Storage Humidity:RH10%~70%.

Saturation current VS temperature rise current curve:



Recommended Soldering Temperature Graph.



| | Standard Profile | Standard Profile |
|------------------|---------------------|---------------------|
| Pre-heating | 150~180°C,90s±30s | |
| Heating | above 220°C,30s-60s | above 240°C,30s Max |
| Peak temperature | 245°C±3°C | 260°C,10s |
| Cycle of reflow | 2 times | 2 times |

| | | | | | | | | |
|-----|-------------|------|------|---|---|-----------------------|---|-----------------------------------|
| REV | DESCRIPTION | APPD | DATE | Tianchang Fuan Electronic Co Ltd www.fuantronics.net TEL: +86-550-7814888 FAX: +86-550-7831133 | Tolerances unless otherwise specified: (.X)±0.50 (.XX)±0.25 Unit of measurement: mm | Make: Qiumei.Liu | DRAWING TITLE HIGH CURRENT POWER INDUCTORS | Customer Name: |
| | | | | | | Checked: Beson. zhan | | Material Number: A341265XS080 |
| | | | | | | Approved: Anson. zhan | | Specification Sheet: 1 of 1 |
| | | | | | | | | Date of Recognition: Jan./02/2020 |