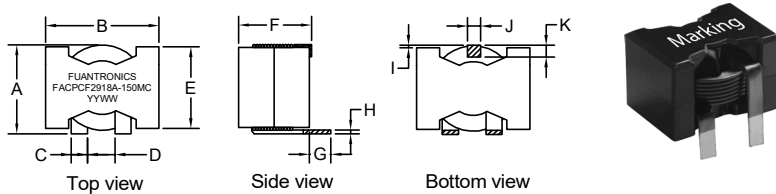


P/N: FACPCF2918A-150MC



Outline Dimensions(Unit:mm)

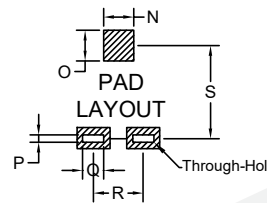


| A    | B    | C     | D     | E    | F    | G     | H     | I    | J    | K    |
|------|------|-------|-------|------|------|-------|-------|------|------|------|
| Max  | Max  | ±0.30 | ±0.50 | Max  | Max  | ±0.50 | ±0.20 | REF  | REF  | REF  |
| 23.0 | 27.9 | 3.80  | 6.63  | 19.7 | 17.8 | 5.00  | 0.85  | 0.50 | 3.00 | 2.50 |

Electronical Schematic



Suggested Pad layout



|   |           |
|---|-----------|
| N | 6.00 REF  |
| O | 5.50 REF  |
| P | 1.40 REF  |
| Q | 5.50 REF  |
| R | 10.4 REF  |
| S | 19.35 REF |

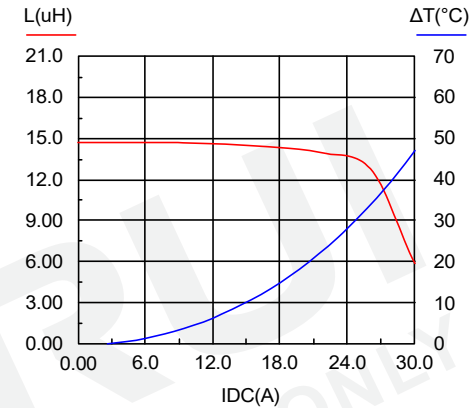
- \*\*\*Assemblage design, sturdy structure.
- \*\*\*High inductance, high current, low magnetic loss, low ESR, small parasitic capacitance.
- \*\*\*Flat wire winding, achieve a low D.C. Resistance.
- \*\*\*Temperature rise current and saturation current is less influenced by environment.

Electrical Characteristics(@25°C)

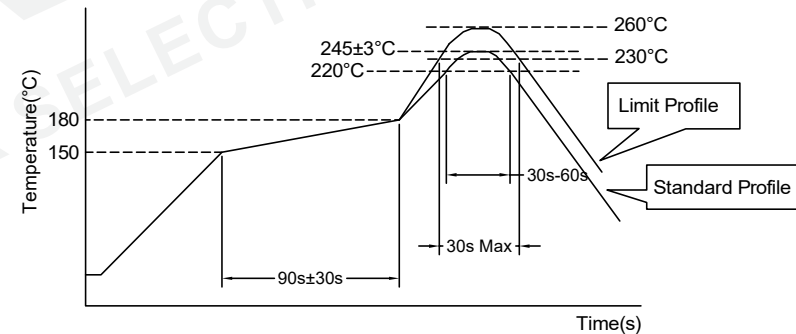
| Inductance<br>100KHz,0.1V | DC Resistor | Saturated<br>current<br>21.2A | Temperature<br>rise current<br>28A |
|---------------------------|-------------|-------------------------------|------------------------------------|
| 15.0uH±20%                | 7.86mΩ Max  | L(21.2A)=80%*L0A Typ          | T≤40°C Typ                         |

- \*\*\*Saturation current: the actual value of DC current when the inductance decrease 20% of its initial value.
- \*\*\*Temperature rise current: the actual value of DC current when the temperature rise is ΔT40°C(Ta=25°C).
- \*\*\*Operating Temperature: -40°C~+125°C (Temperature rise included)
- \*\*\*Storage Temperature: -40°C~+125°C
- \*\*\*Storage Humidity:RH10%~70%.

Saturation current VS temperature rise current curve:



Recommended Soldering Temperature Graph.



|                  | Standard Profile    | Standard Profile    |
|------------------|---------------------|---------------------|
| Pre-heating      | 150~180°C,90s±30s   |                     |
| Heating          | above 220°C,30s-60s | above 240°C,30s Max |
| Peak temperature | 245°C±3°C           | 260°C,10s           |
| Cycle of reflow  | 2 times             |                     |

|     |             |      |      |   |   |                                   |  |                  |
|-----|-------------|------|------|---|---|-----------------------------------|--|------------------|
| REV | DESCRIPTION | APPD | DATE | Tianchang Fuan Electronic Co Ltd<br>www.fuantronics.net<br>TEL: +86-550-7814888<br>FAX: +86-550-7831133 | <br>Tolerances unless otherwise specified:<br>(.X)±0.50 (.XX)±0.25<br>Unit of measurement: mm | Make: Qiumei.Liu                  | <b>DRAWING TITLE</b><br>HIGH CURRENT<br>POWER INDUCTORS<br>Material Number: A342918AS070 | Customer Name:   |
|     |             |      |      |   |   | Checked: Beson. zhan              |  | Document/Rev: 00 |
|     |             |      |      | Approved: Anson. zhan   | Specification Sheet: 1 of 1   | Date of Recognition: Jan./02/2020 |  |                  |