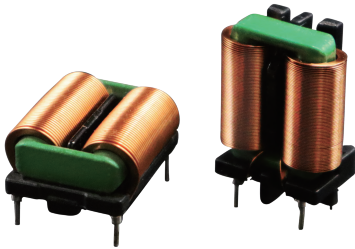


FRAME CORE CHOKES FOR POWER LINES

FACCF3324 SERIES

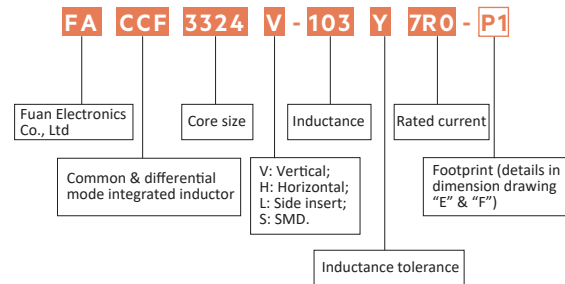


ELECTRICAL SPECIFICATION

- Rated voltage: 85~264 VAC
- Turns ratio: N1:N2=1:1±2%
- Hi-pot: 1500VAC/1mA/2second
- Operating temperature range: -40°C to+120°C
- Temperature Rise: 40°C Ref. at rated current
- All parts meet RoHS compliant
- Weight: 53.0g (reference)

FEATURES

- Small size, low leakage flux due to SQ core
- Low stray capacitance, high attenuation of a wide frequency band
- There is no danger of the layer short for the single-layer rolling
- High attenuation to the normal mode noise
- Winding time 90% down
- High inductance was achieved by the ferrite mixing and the baking technology that developed originally



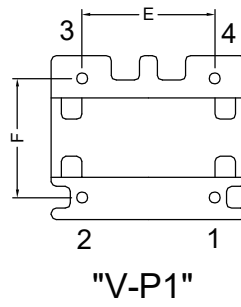
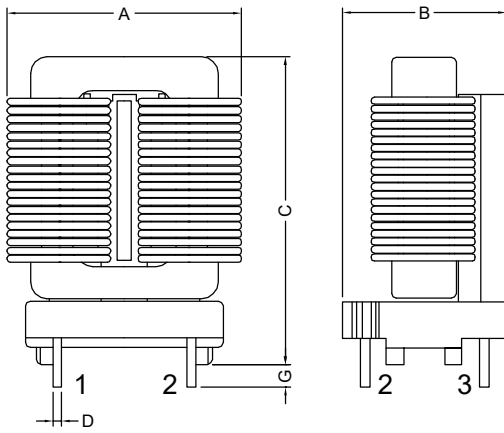
ELECTRICAL CHARACTERISTICS AT 25°C (V & H Series)

Part Number	Part Number	Ind.(mH) 1KHz 0.25V Min	Lstray (uH) Typ	D.C.Resistance (mohms) Max	Rated Current (A)Typ	Wire (mm)
FACCF3324V-103Y7R0-□	FACCF3324H-103Y7R0-□	10.00	80	32	7.0	0.50*2.0
FACCF3324V-802Y7R0-□	FACCF3324H-802Y7R0-□	8.00	80	32	7.0	0.50*2.0
FACCF3324V-902Y8R0-□	FACCF3324H-902Y8R0-□	9.00	64	24	8.0	0.60*2.0
FACCF3324V-602Y8R0-□	FACCF3324H-602Y8R0-□	6.00	64	24	8.0	0.60*2.0
FACCF3324V-502Y10R0-□	FACCF3324H-502Y10R0-□	5.00	36	13	10.0	0.80*2.0
FACCF3324V-352Y10R0-□	FACCF3324H-352Y10R0-□	3.50	36	13	10.0	0.80*2.0
FACCF3324V-302Y13R0-□	FACCF3324H-302Y13R0-□	3.00	22	10	13.0	1.0*1.8
FACCF3324V-202Y13R0-□	FACCF3324H-202Y13R0-□	2.00	22	10	13.0	1.0*1.8
FACCF3324V-302Y15R0-□	FACCF3324H-302Y15R0-□	3.00	22	8	15.0	1.0*2.5
FACCF3324V-202Y15R0-□	FACCF3324H-202Y15R0-□	2.00	22	8	15.0	1.0*2.5
FACCF3324V-252Y16R5-□	FACCF3324H-252Y16R5-□	2.50	18	6	16.5	1.1*2.5
FACCF3324V-182Y16R5-□	FACCF3324H-182Y16R5-□	1.80	18	6	16.5	1.1*2.5

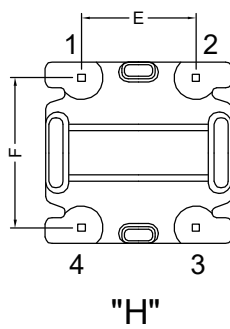
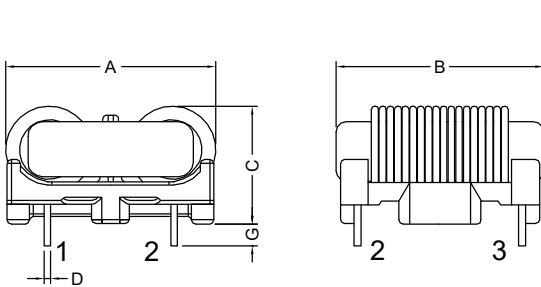
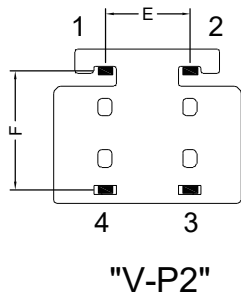
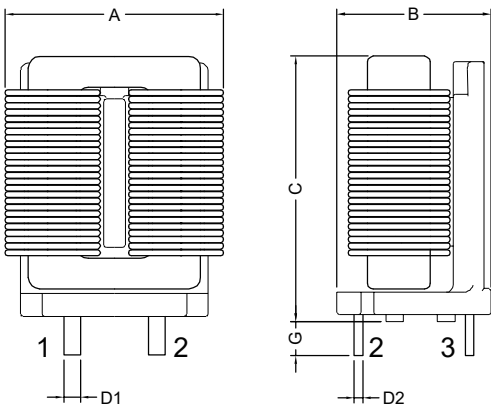
Product datasheet

ELECTRICAL INFORMATION

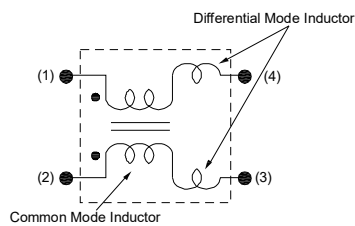
Dimension in mm



	A Max	B Max	C Max	D ±0.1	E ±0.5	F ±0.5	G ±0.5
-P1	33.0	23.0	43.0	1.20	18.0	16.0	3.50
-P2	33.0	23.0	43.0	xx*xx	18.0	16.0	3.50



	A Max	B Max	C Max	D ±0.1	E ±0.5	F ±0.5	G ±0.5
-P1	35.0	35.0	25.0	1.00	20.0	26.0	3.50



Schematic

CURRENT VS TEMPERATURE RISE

