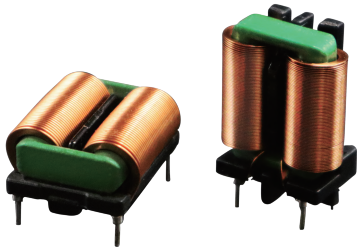


FRAME CORE CHOKES FOR POWER LINES

FACCF2826 SERIES

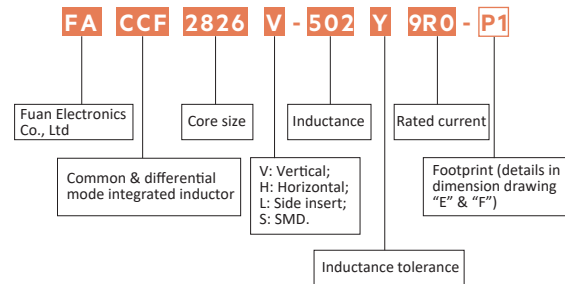


ELECTRICAL SPECIFICATION

- Rated voltage: 85~264 VAC
- Turns ratio: N1:N2=1:1±2%
- Hi-pot: 1500VAC/1mA/2second
- Operating temperature range: -40°C to+120°C
- Temperature Rise: 40°C Ref. at rated current
- All parts meet RoHS compliant
- Weight: 53.0g (reference)

FEATURES

- Small size, low leakage flux due to SQ core
- Low stray capacitance, high attenuation of a wide frequency band
- There is no danger of the layer short for the single-layer rolling
- High attenuation to the normal mode noise
- Winding time 90% down
- High inductance was achieved by the ferrite mixing and the baking technology that developed originally



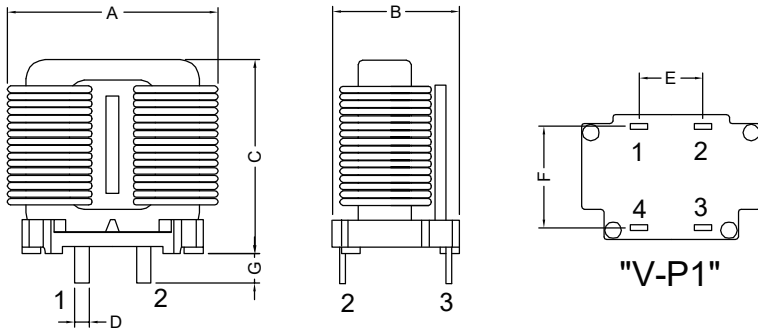
ELECTRICAL CHARACTERISTICS AT 25°C (V Series)

Part Number	Ind.(mH) 1KHz 0.25V Min	Lstray (uH) Typ	D.C.Resistance (mohms) Max	Rated Current (A)Typ	Wire (mm)
FACCF2826V-802Y9R0-□	8.00	56	22	9.0	0.50*2.4
FACCF2826V-502Y9R0-□	5.00	56	22	9.0	0.50*2.4
FACCF2826V-402Y12R0-□	4.00	30	12	12.0	0.70*2.5
FACCF2826V-252Y12R0-□	2.50	30	12	12.0	0.70*2.5
FACCF2826V-302Y14R0-□	3.00	22	10	14.0	0.80*2.5
FACCF2826V-202Y14R0-□	2.00	22	10	14.0	0.80*2.5
FACCF2826V-202Y17R0-□	2.00	15	6	17.0	1.0*2.5
FACCF2826V-132Y17R0-□	1.30	15	6	17.0	1.0*2.5
FACCF2826V-152Y20R0-□	1.50	10	5	20.0	1.1*2.5
FACCF2826V-102Y20R0-□	1.00	10	5	20.0	1.1*2.5

Product datasheet

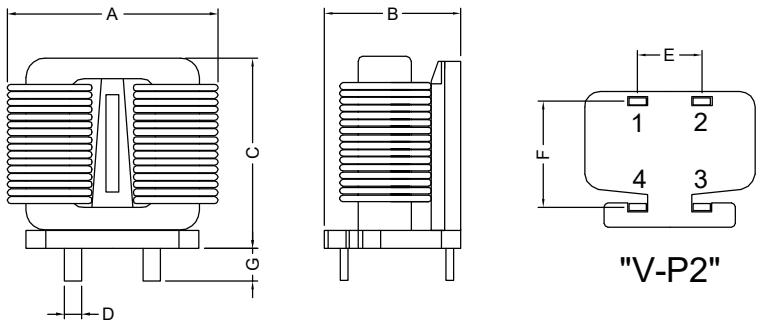
ELECTRICAL INFORMATION

Dimension in mm

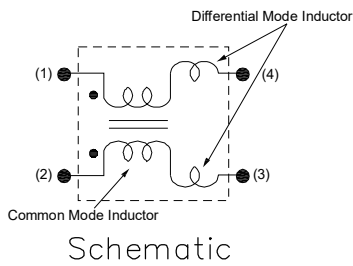


"V-P1"

	A Max	B Max	C Max	D ±0.1	E ±0.5	F ±0.5	G ±0.5
-P1	35.0	21.0	33.0	xx*2.5	10.0	16.0	3.50
-P2	35.0	22.0	33.0	xx*2.5	10.0	16.0	3.50



"V-P2"



CURRENT VS TEMPERATURE RISE

