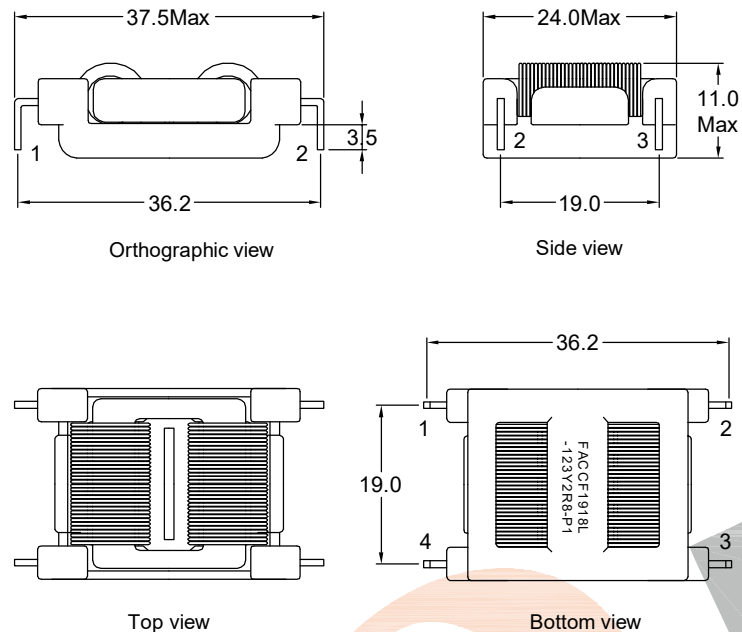


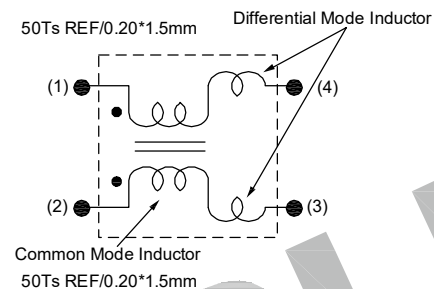
P/N: FACCF1918L-123Y2R8-P1

RoHS

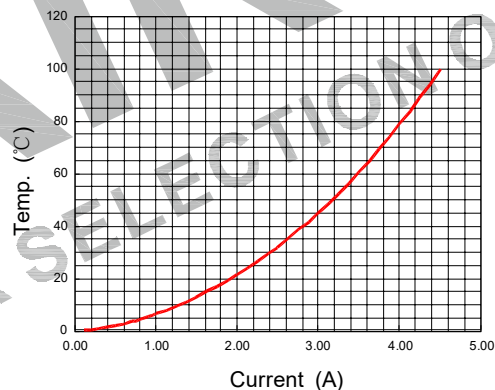
### Outline Dimensions(Unit:mm)



### Electronical Schematic



### Simulation test curve:



### Electrical Characteristics(at 25°C)

Inductance : 12.0mH Min,at 1KHz,0.25V.  
 Lstray: Lkg=120uH typ,at 1KHz,0.25V.  
 Inductance balance : L1-L2= 300uH Max,at 1KHz,0.25V.  
 D.C.Resistance: 100 mohms Max.  
 Rated current: 2.8Amps.  
 Turns Ratio : 1:1±2%,at 20KHz,1V.  
 Hipot : Pri-Sec : 1500VAC/5mA/2Second.

### List of UL Certificate:

Part Name	Mat'l Description	Supplier	UL Number
Bobbin	SQ1918/T375HF	Chang Chun Plastics Co Ltd	E59481
Copper wire	SFT-JUEW-H	Ningbo Jintian New Material Co Ltd	E227047
Core	SQ1918-H12K	Su Zhou Tian Ming Magnetic	N/A
Epoxy or Varnish	YZ-HC-1401C	YouZhi Electronic(DongGuan)Co.,Ltd	N/A
	T4260LZ	Suzhou Taihu Electric Advanced Material Co., Ltd	E228349

\*\*\*Weight:Approx 16.0g.

Tianchang Fuan Electronic Co Ltd  
 www.fuantronics.net  
 TEL: +86-550-7814888  
 FAX: +86-550-7831133



Tolerances unless otherwise specified:  
 (.X)±0.50 (.XX)±0.25  
 Unit of measurement: mm

Make: Yuing.yu

Checked: Beson. zhan

Approved: Anson. zhan

#### DRAWING TITLE

CCF1918L Current-compensated  
 frame core double chokes

Material Number:

Customer P/N:

Document/Rev: 2207287/00

Specification Sheet: 1 of 1

Date of Recognition: July./20/2022

REV	DESCRIPTION	APPD	DATE