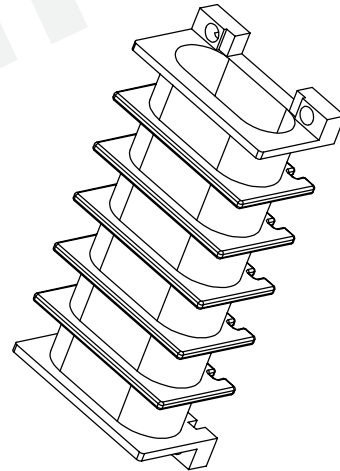
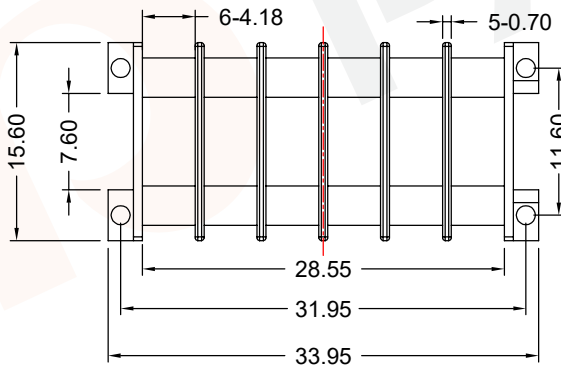
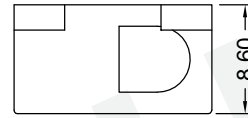
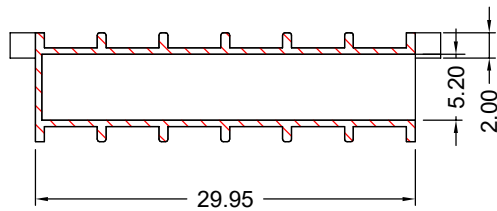


COIL FORMER
General data R30/11 coil former

| PARAMETER | SPECIFICATION |
|-------------------------------|---|
| Coil former material | polyamid (PA66), glass reinforced, flame retardant in accordance with "UL 94HB"; UL file number E41938 |
| Pin material | |
| Maximum operating temperature | 130°C, "IEC 60085", class B |
| Resistance to soldering heat | "IEC 60068-2-20", Part 2, Test Tb, method 1B, 350 °C, 3.5 s |
| Soldeerability | "IEC 60068-2-20", Part 2, Test Ta, method 1 |



Tolerances unless otherwise specified:
 $0 < L \leq 4 \pm 0.10$ $4 < L \leq 16 \pm 0.20$
 $16 < L \leq 45 \pm 0.30$ $45 \leq L \pm 0.40$
 Pin Dim: ± 0.05 Thickness: ± 0.20 Pin Pitch: ± 0.20

Dimensions:
(mm)



TYPE NUMBER: UI-3001-6S

Mould No.: UI3001

Bobbin material: PA66

Code No.: FAY01091

Available for Fuan core: R29*12.2*5.1



Fuan Electronics

TEL :0086-514-87693589
 EML :sales@fuantronics.net
 WEB:www.fuantronics.net

Make: P.Xiao

Material Number: A4E300100100

Checked: Beson. zhan

Document/Rev: 00

Approved: Anson. zhan

Date of Recognition: Oct./23/2019