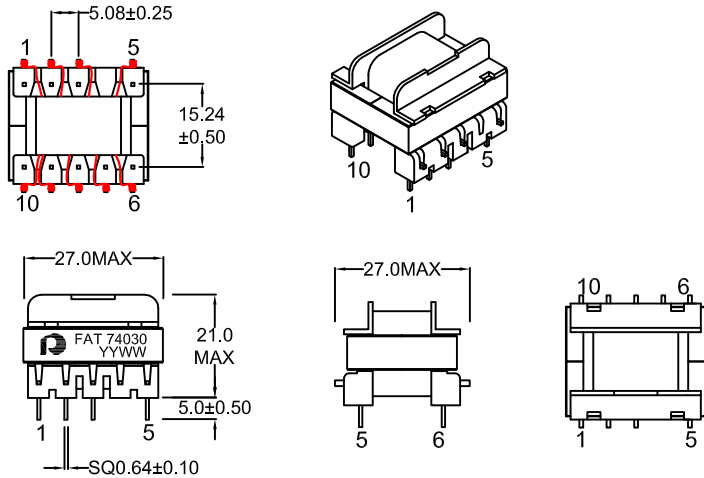


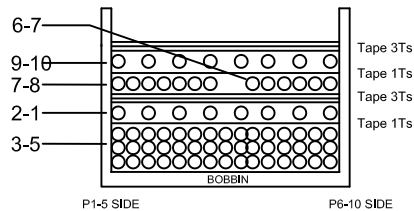
Outline Dimensions(Unit:mm)



Remark:

1. Fixed Core With 2Ts Tape.
2. Remove pin4.

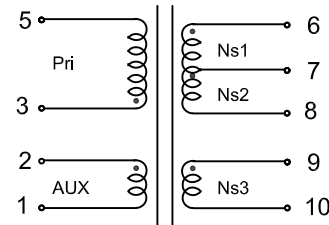
Winding Construction:



No.286 RenMin East Road,Renheji Town,Tianchang city,Anhui province,China
 TEL: :+86-550-7814888/7811988 FAX:+86-550-7831133
 www.fuantronics.net

REV	DESCRIPTION	APPD	DATE
1.1	增加材料表单, UL号。	Anson	2014.06.28

Electronical Schematic



Electrical Characteristics

1. Inductance: L3-5=750uH ±10% AT 1KHz 0.3V.
2. D.C. Resistance: R1-2=0.08Ω MAX
R3-5=0.50Ω MAX
R6-8=0.06Ω MAX
R9-10=0.07Ω MAX
3. Hipot: P-S:4000VAC/3mA/2S
4. Turns Ratio: (3-5):(1-2)=8.75:1 ±2%
(3-5):(6-7)=14.0:1 ±2%
(3-5):(7-8)=17.5:1 ±2%
(3-5):(9-10)=7.78:1 ±2%
5. Bobbin: GS-2517/P(TBBLACK)
6. CORE: FUAN EE25- P3
7. Wire: 1UEW-B/130C, TIW-B.
8. Tape: JY25-A1/130C.
9. Varnish: T4260GK.

TOLERANCE	LEVEL	天长市富安电子有限公司 Tianchang Fuan Electronic Co.,Ltd			
X.	—	DWN:	TITLE: EE25 Transformer		
.X	±0.50	Yuing. yu	FuAn P/N: FAT74030		
.XX	±0.25	CHKD:	Customer P/N:		
.XXX	—	Anson. zhan	UNITS	SHEET	REV.
		APPD:	mm	1/2	1.3
		Louis. Lin	DATE	Jun./28/2014	

List of UL Certificate:

No.	Part Name	Mat'l Description	Supplier	UL Number
1	Bobbin	GS-2517/PBT(BLACK)	Chang Chun Plastics Co.,Ltd	E59481
2	Copper wire	1UEW-B /130C	Changzhou Dayang Wire & Cable Co.,Ltd	E158090
3	Triple insulated wire	TIW-B/130C	Shanghai SuRan Electronic Technology Co., Ltd	E335392
4	Insulation Tape	JY25-A1	Jingjiang Jingyi Adhesive Product Co.,Ltd	E246950
5	Core	EE25-P3	FUAN	
6	Varnish	T4260GK	WuJiang Taihu Insulating Material Co.,Ltd	E228349
7				
8				

No.286 RenMin East Road, Renheji Town, Tianchang city, Anhui province, China
 TEL: +86-550-7814888/7811988 FAX: +86-550-7831133
 www.fuantronics.net

TOLERANCE LEVEL		 天长市富安电子有限公司 Tianchang Fuan Electronic Co.,Ltd				
X.	—	DWN: Yuing. yu	TITLE: EE25 Transformer			
.X	±0.50		FuAn P/N: FAT74030			
.XX	±0.25	CHKD: Anson. zhan	Customer P/N:			
.XXX	—		APPD: Louis. Lin	UNITS	SHEET	REV.
		mm		1/2	1.3	Jun./28/2014

