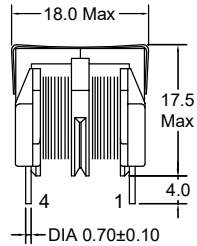


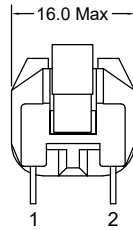
P/N: FAPL10VL-102Y1R5



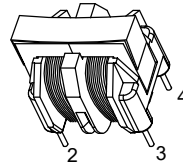
Outline Dimensions (Unit:mm)



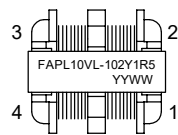
Orthographic view



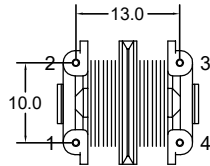
Side view



Stereogram



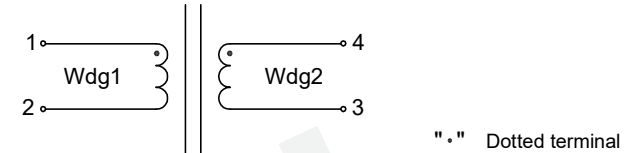
Top view



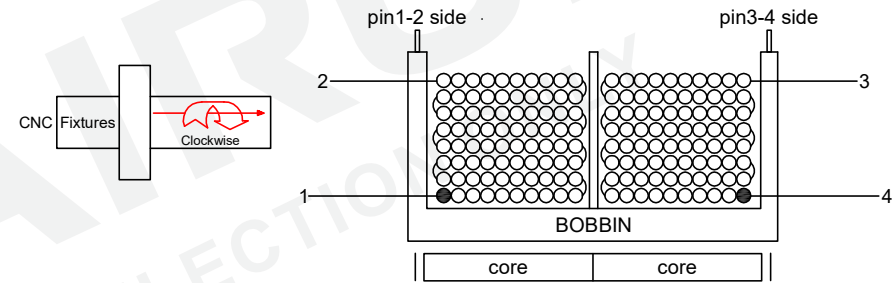
Bottom view

REMARK:  
1. Product vacuum impregnation.

Electrical Schematic



Winding Construction:



Electrical Characteristics

Inductance : L1-2=4-3= 1.00mH Min, at 10KHz, 0.1V.  
 Rated current : 1500mA.  
 D.C.Resistance : 1-2= 0.087 ohms Max.  
 4-3= 0.087 ohms Max.  
 Turns Ratio : Wdg1:Wdg2=1:1±1%, at 20KHz, 1V.  
 Hipot : Coil-Coil : 1500VAC/3mA/2S.

List of UL Certificate:

| No. | Part Name   | Mat'l Description | Supplier                                       | UL Number |
|-----|-------------|-------------------|--|-----------|
| 1   | Bobbin      | UU-1056/T375J     | Chang Chun Plastics Co Ltd                     | E59481    |
|     |             |                   |  |           |
| 2   | Copper wire | 2UEW-F/155C       | Dong Guan YiDa Industrial Co Ltd               | E344055   |
|     |             | 2UEW-F/155C       | Elektrisola Hangzhou Co Ltd                    | E258243   |
| 3   | Core        | UU10.5 TS10       | TDG Holding Co Ltd                             | N/A       |
|     |             | UU10.5 GH10       | Su Zhou Guanda Magnet Co Ltd                   | N/A       |
| 4   | Clip        | UU10.5/SUS301     | Chuangshun Hardware Electronic Factory         | N/A       |
| 5   | Varnish     | T-4260(a)/MW80-C  | SuZhou TaiHu Electric Advanced Material Co Ltd | E228349   |

|     |             |      |      |   |  |   |  |   |
|-----|-------------|------|------|---|--|---|--|---|
|     |             |      |      | Tianchang Fuan Electronic Co Ltd<br>www.fuantronics.net<br>TEL: +86-550-7814888<br>FAX: +86-550-7831133 | <br>Tolerances unless otherwise specified:<br>(.X)±0.50 (XX)±0.25<br>Unit of measurement: mm | Make: Qiumei.Liu<br>Checked: Beson. zhan<br>Approved: Anson. zhan | <b>DRAWING TITLE</b><br>UU10.5VL COMMON-CODE<br>FILTER INDUCTOR<br>Material Number: A24PL105S250 | Customer P/N:<br>Document/Rev: 00<br>Specification Sheet: 1 of 2<br>Date of Recognition: Mar./13/2020 |
| REV | DESCRIPTION | APPD | DATE |   |  |   |  |   |

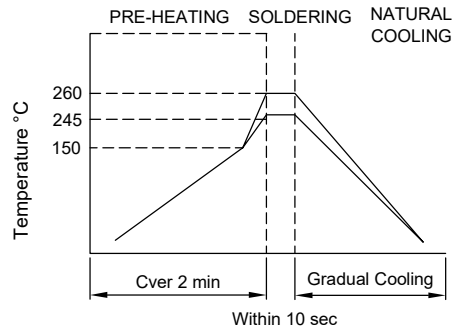
P/N: FAPL10VL-102Y1R5



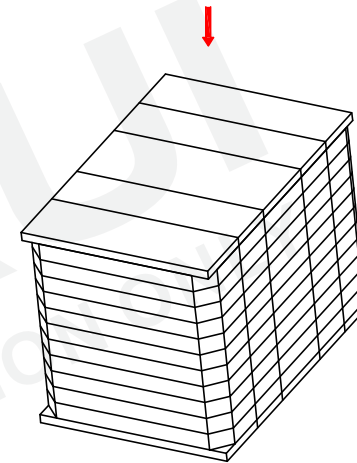
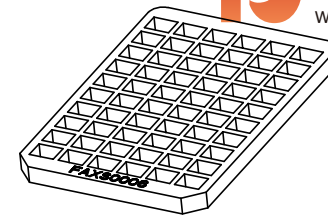
**General Properties:**

Operating Temperature: -40°C to +125°C  
 (Temperature rise included).  
 Storage Temperature: -25°C to +85°C.  
 Storage Humidity: RH10%~70%.  
 Weight: ≈7.5g.

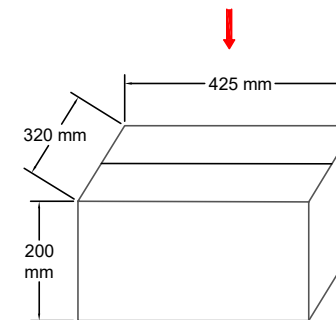
**Wave Soldering**



**Note:**  
 1. Never Contact the ceramic with the iron tip;  
 2. 1.0mm tip diameter(max).



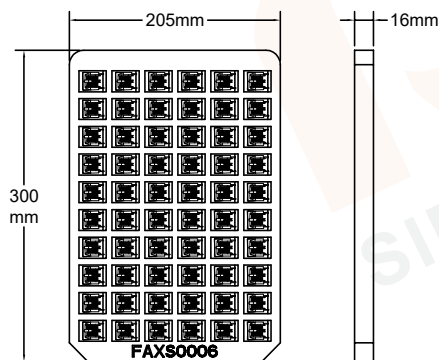
Quantity: 660pcs/Reel



Outer cases: 1320pcs/box  
 Insufficient boxes filled with inner boxes or fillers

**Packaging Specification:**

Blister tray:



- 1. 60 products are placed on one blister disc, 11 blister discs are fixed together, and a cardboard is placed at the top and bottom respectively.
- 2. 22 plastic suction cups (1320 pcs) in one box.
- 3. Blister tray: UU10.5(FAXS0006).  
 Carboard: 295\*200\*3mm.  
 Carton: 425\*320\*200mm.

|     |             |      |      |   |  |   |  |   |
|-----|-------------|------|------|---|--|---|--|---|
|     |             |      |      | Tianchang Fuan Electronic Co Ltd<br>www.fuantronics.net<br>TEL: +86-550-7814888<br>FAX: +86-550-7831133 | <br>Tolerances unless otherwise specified:<br>(.X)±0.50 (XX)±0.25<br>Unit of measurement: mm | Make: Qiumei.Liu<br>Checked: Beson. zhan<br>Approved: Anson. zhan | <b>DRAWING TITLE</b><br>UU10.5VL COMMON-CODE<br>FILTER INDUCTOR<br>Material Number: A24PL105S250 | Customer P/N:<br>Document/Rev: 00<br>Specification Sheet: 2 of 2<br>Date of Recognition: Mar./13/2020 |
| REV | DESCRIPTION | APPD | DATE |   |  |   |  |   |