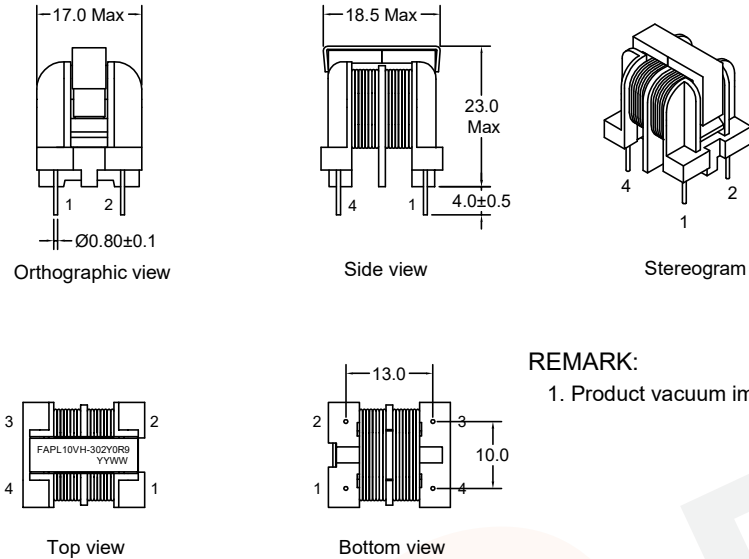


P/N: FAPL10VH-302Y0R9

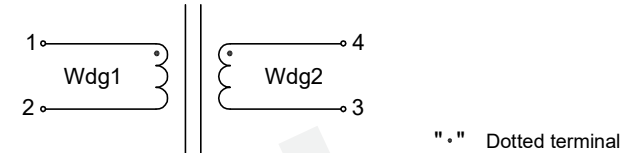


Outline Dimensions (Unit:mm)

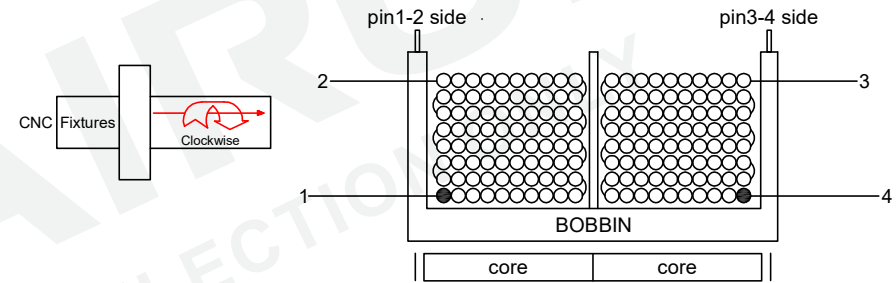


REMARK:  
1. Product vacuum impregnation.

Electronical Schematic



Winding Construction:

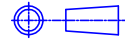


Electrical Characteristics

Inductance : L1-2=4-3= 3.00mH Min, at 10KHz, 0.1V.  
 Rated current : 900mA.  
 D.C.Resistance : 1-2= 0.25 ohms Max.  
 4-3= 0.25 ohms Max.  
 Turns Ratio : Wdg1:Wdg2=1:1±1%, at 20KHz, 1V.  
 Hipot : Coil-Coil : 1500VAC/3mA/2S.

List of UL Certificate:

No.	Part Name	Mat'l Description	Supplier	UL Number
1	Bobbin	UU-1052/T375J	Chang Chun Plastics Co Ltd	E59481
2	Copper wire	2UEW-F/155C	Dong Guan YiDa Industrial Co Ltd	E344055
		2UEW-F/155C	Elektrisola Hangzhou Co Ltd	E258243
3	Core	UU10.5 TS10	TDG Holding Co Ltd	N/A
		UU10.5 GH10	Su Zhou Guanda Magnet Co Ltd	N/A
4	Clip	UU10.5/SUS301	Chuangshun Hardware Electronic Factory	N/A
5	Varnish	T-4260(a)/MW80-C	SuZhou TaiHu Electric Advanced Material Co Ltd	E228349

				Tianchang Fuan Electronic Co Ltd www.fuantronics.net TEL: +86-550-7814888 FAX: +86-550-7831133	 Tolerances unless otherwise specified: (.X)±0.50 (XX)±0.25 Unit of measurement: mm	Make: Qiumei.Liu Checked: Beson. zhan Approved: Anson. zhan	<b>DRAWING TITLE</b> UU10.5VH COMMON-CODE FILTER INDUCTOR Material Number: A24PL105S080	Customer P/N: Document/Rev: 00 Specification Sheet: 1 of 2 Date of Recognition: Dec./23/2019
REV	DESCRIPTION	APPD	DATE					

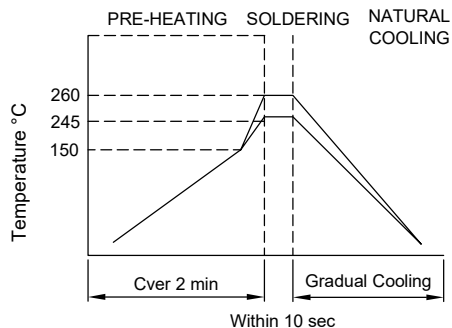
P/N: FAPL10VH-302Y0R9



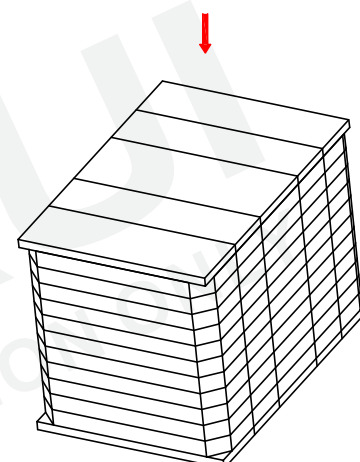
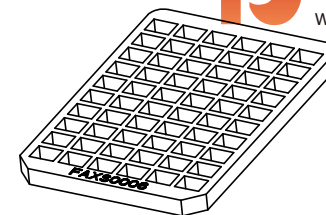
**General Properties:**

Operating Temperature: -40°C to +125°C  
 (Temperature rise included).  
 Storage Temperature: -25°C to +85°C.  
 Storage Humidity: RH10%~70%.  
 Weight: ≈7.5g.

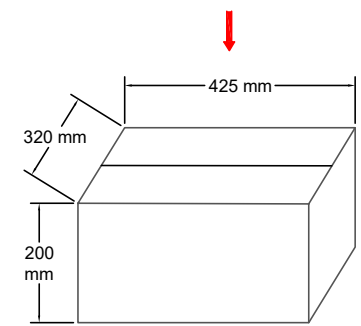
**Wave Soldering**



**Note:**  
 1. Never Contact the ceramic with the iron tip;  
 2. 1.0mm tip diameter(max).



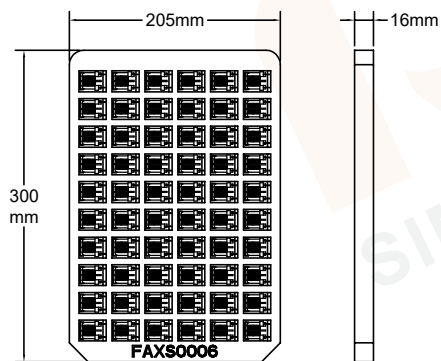
Quantity: 660pcs/Reel



Outer cases: 1320pcs/box  
 Insufficient boxes filled with inner boxes or fillers

**Packaging Specification:**

Blister tray:



1. 60 products are placed on one blister disc, 11 blister discs are fixed together, and a cardboard is placed at the top and bottom respectively.
2. 22 plastic suction cups (1320 pcs) in one box.
3. Blister tray: UU10.5(FAXS0006).  
 Carboard: 295\*200\*3mm.  
 Carton: 425\*320\*200mm.

				Tianchang Fuan Electronic Co Ltd www.fuantronics.net TEL: +86-550-7814888 FAX: +86-550-7831133	 Tolerances unless otherwise specified: (.X)±0.50 (XX)±0.25 Unit of measurement: mm	Make: Qiumei.Liu Checked: Beson. zhan Approved: Anson. zhan	<b>DRAWING TITLE</b> UU10.5VH COMMON-CODE FILTER INDUCTOR Material Number: A24PL105S080	Customer P/N: Document/Rev: 00 Specification Sheet: 2 of 2 Date of Recognition: Dec./23/2019
REV	DESCRIPTION	APPD	DATE					