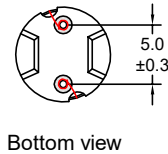
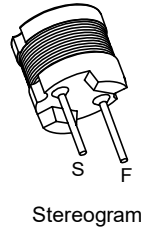
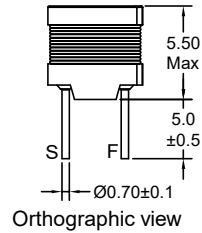


P/N: FALCH0805-100M



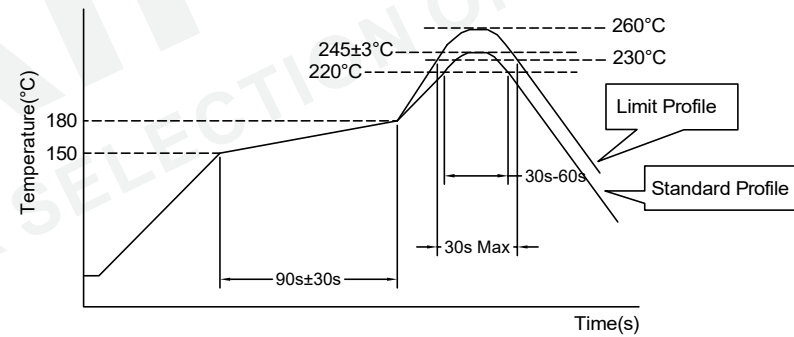
Outline Dimensions(Unit:mm)



Material list

| Part Name | SPEC | Material Type | Supplier | UL Number |
|-------------|------------------------------|---------------|--|-----------|
| Core | DR2W7.8*4.7(S) RCH(B=3.6) | NiZn | FengYin Electronics Corporation or Equivalent supplier | N/A |
| Copper Wire | 2UEW-F | 155°C | Elektrisola Hangzhou Co Ltd | E258243 |

Recommended Soldering Temperature Graph.



Electrical Schematic



Electrical Characteristics(@25°C)

| Inductance 1KHz,0.1V S-F | DC Resistor S-F | Rated Current |
|--------------------------------|--------------------|---------------|
| 10.0uH±20% | 0.07Ω Max | 2.50A |

***Operating Temperature: -40°C~+125°C
(Temperature rise included)
***Storage Temperature: -40°C~+125°C
***Storage Humidity:RH10%~70%.

| | Standard Profile | Standard Profile |
|------------------|---------------------|---------------------|
| Pre-heating | 150~180°C,90s±30s | |
| Heating | above 220°C,30s-60s | above 240°C,30s Max |
| Peak temperature | 245°C±3°C | 260°C,10s |
| Cycle of reflow | 2 times | 2 times |

| | | | | | | | | |
|-----|-------------|------|------|---|---|---|--|--|
| REV | DESCRIPTION | APPD | DATE | Tianchang Fuan Electronic Co Ltd www.fuantronics.net TEL: +86-550-7814888 FAX: +86-550-7831133 | Tolerances unless otherwise specified: (.X)±0.50 (.XX)±0.25 Unit of measurement: mm | Make: Qiumei.Liu Checked: Beson. zhan Approved: Anson. zhan | DRAWING TITLE DR2W7.8*4.7 POWER INDUCTORS Material Number: A330805XS000 | Customer Name: |
| | | | | | | | | Document/Rev: 00 Specification Sheet: 1 of 1 Date of Recognition: Mar./16/2020 |