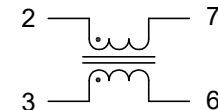
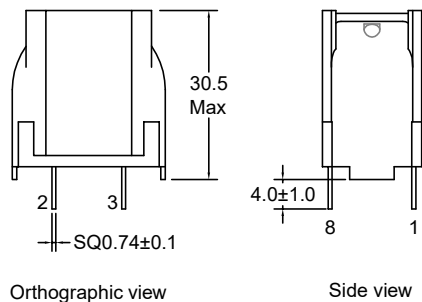


P/N: FACM22V1-393Y1R0

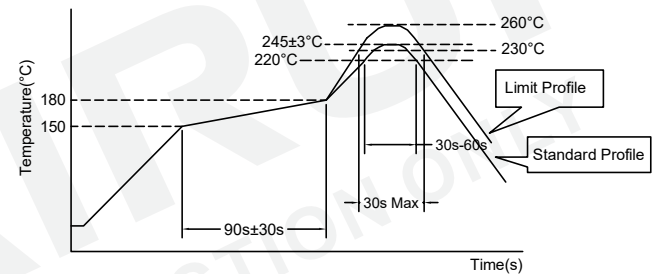
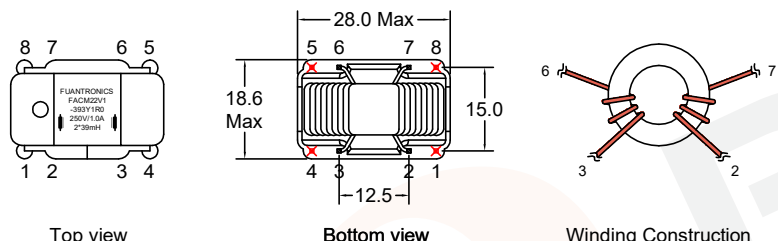


### Outline Dimensions(Unit:mm)

### Electronical Schematic



### Recommended Soldering Temperature Graph.



Remarks:

1. Remove pin1,4,5,8.

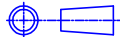
### Electrical Characteristics(at 25°C)

### List of UL Certificate:

Inductance : L2-7=3-6= 39mH +50%/-30%,at 10KHz,0.1V.  
Leakage Inductance: L2-7&3-6= 430uH Typ.  
Rated current: 1.00Amps.  
D.C.Resistance : 2-7= 0.750 ohms Typ.  
3-6= 0.750 ohms Typ.  
Turns Ratio : Coil:Coil= 1:1±2%,at 20KHz,1V.  
Hipot : Coil-Coil : 1500VAC/5mA/2Second.

Part Name	Mat'l Description	Supplier	UL Number
Case	EB16-003/PA66(orange)	Zhejiang Juner New Materials Co Ltd	E204321
Copper wire	2UEW-F/155C	Elektrisola Hangzhou Co Ltd	E258243
Core	Ferrite core(orange)	Su Zhou Tian Ming Magnetic	N/A
Epoxy	808A-R-B(red soft glue)	Dong Guan Shi Pai Hua Chuang Material Fty	E304477
Spacer	1.50mm/FR-4	Kingboard Laminates Holdings Ltd	E123995

	Standard Profile	Standard Profile
Pre-heating	150~180°C,90s±30s	
Heating	above 220°C,30s-60s	above 240°C,30s Max
Peak temperature	245°C±3°C	260°C, 10s
Cycle of reflow	2 times	2 times

REV	DESCRIPTION	APPD	DATE	Tianchang Fuan Electronic Co Ltd	 Tolerances unless otherwise specified: (.X)±0.50 (XX)±0.25 Unit of measurement: mm	Make: Qiumei.Liu	<b>DRAWING TITLE</b> CURRENT-COMPENSATED RING CORE DOUBLE CHOKES	Customer P/N:
				www.fuantronics.net		Checked: Beson. zhan		Document/Rev: 00
TEL: +86-550-7814888	Approved: Anson. zhan	Material Number: A31CM022S020	Specification Sheet: 1 of 1					
FAX: +86-550-7831133			Date of Recognition: Jan./02/2020					