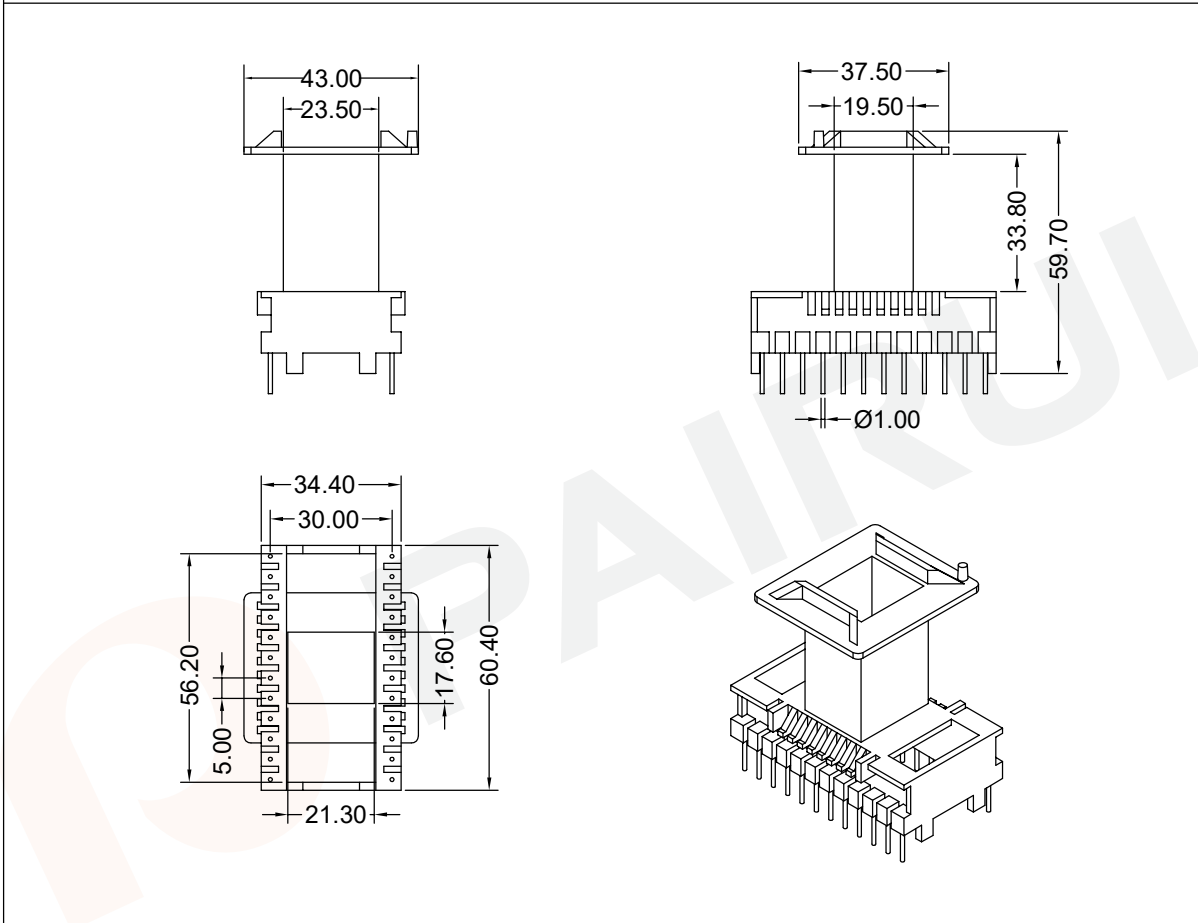


COIL FORMER

General data 24-pins EE55/28/21 coil former

| PARAMETER | SPECIFICATION |
|-------------------------------|---|
| Coil former material | phenolformaldehyde (PF), glass-reinforced, flame retardant in accordance with "UL 94V-0"; UL file number E41429 |
| Pin material | copper-tin alloy (CuSn), tin (Sn) plated |
| Maximum operating temperature | 180°C, "IEC 60085", class H |
| Resistance to soldering heat | "IEC 60068-2-20", Part 2, Test Tb, method 1B, 350 °C, 3.5 s |
| Soldeerability | "IEC 60068-2-20", Part 2, Test Ta, method 1,235°C,2s |



Winding data and area product for 24-pins EE55/28/21 coil former

| NUMBER OF SECTIONS | WINDING AREA (mm ²) | MINIMUM WINDING WIDTH (mm) | AVERAGE LENGTH OF TURN (mm) | AREA PRODUCT Ae x Aw (mm ⁴) | TYPE NUMBER |
|--------------------|---------------------------------|----------------------------|-----------------------------|---|----------------|
| 1 | 296 | 33.80 | 123 | 10420 | EE-5502-1S-24P |

Tolerances unless otherwise specified:
 0<L≤4±0.10 4<L≤16±0.20
 16<L≤45±0.30 45≤L±0.40
 Pin Dim:±0.05 Thickness:±0.20 Pin Pitch:±0.20

Dimensions:
(mm)



REMARK

| | |
|--------------------|-------------------------------------|
| Mould No.: EE5502 | Bobbin material: PM9820 |
| Code No.: FAY01091 | Available for Fuan core: EE55/28/21 |



Fuan Electronics
 TEL :0086-514-87693589
 EML :sales@fuantronics.net
 WEB:www.fuantronics.net

| | |
|-----------------------|-----------------------------------|
| Make: P.Xiao | Material Number: A40550200100 |
| Checked: Beson. zhan | Document/Rev: 00 |
| Approved: Anson. zhan | Date of Recognition: Oct./18/2019 |