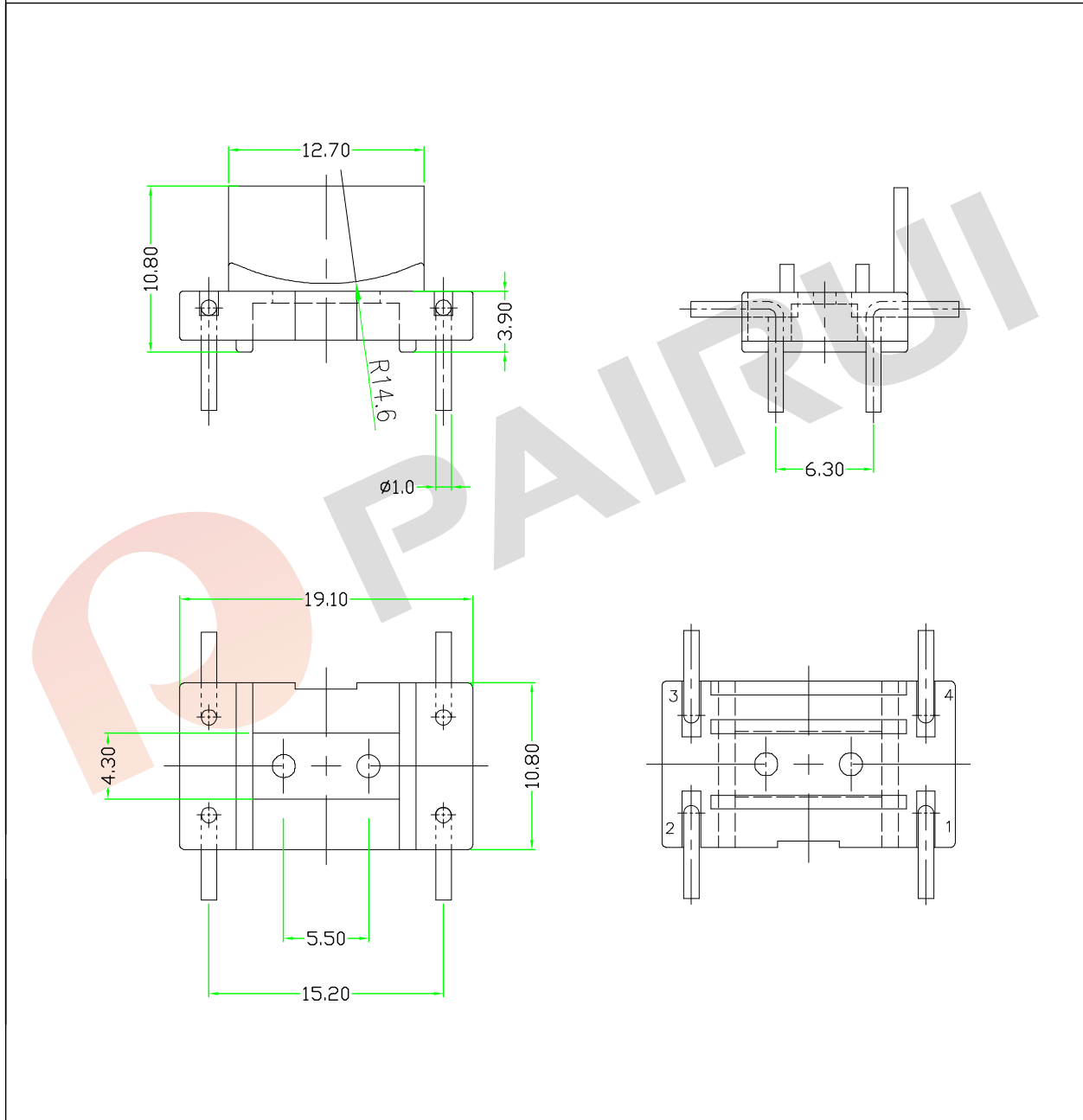


General data 4-pins base

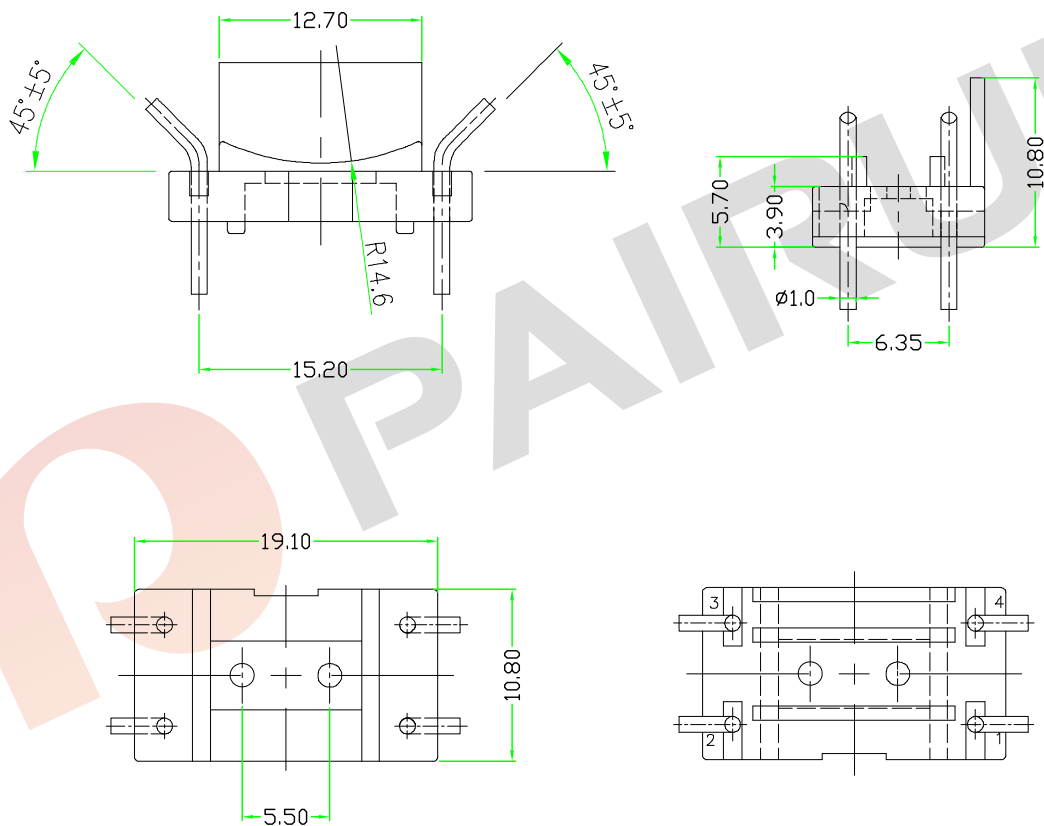
PARAMETER	SPECIFICATION
Coil former material	polybutyleneterephthalate (PBT), glass reinforced, flame retardant in accordance with "UL 94V-0"; UL file number E59481
Pin material	copper-tin alloy (CuSn), tin (Sn) plated
Maximum operating temperature	130 °C, "IEC 60085", class B
Resistance to soldering heat	"IEC 60068-2-20", Part 2, Test Tb, method 1B, 350 °C, 3.5 s
Soldeerability	"IEC 60068-2-20", Part 2, Test Ta, method 1



Tolerances unless otherwise specified: $0 < L \leq 4 \pm 0.10$ $4 < L \leq 16 \pm 0.20$ $16 < L \leq 45 \pm 0.30$ $45 \leq L \pm 0.40$ Pin Dim: $\pm 0.05$ Thickness: $\pm 0.20$ Pin Pitch: $\pm 0.20$	Dimensions: (mm)	<b>TYPE NUMBER: BASE-044-4P</b>	
		Mould No.: Code No.: <b>FAY01033</b>	Bobbin material: <b>PBT/4830 NC</b> Available for Fuan core:
<b>Fuan Electronics</b> TEL :0086-514-87693589 EML :sales@fuantronics.net WEB:www.fuantronics.net	Make: P.Xiao	Material Number: <b>A4N440000036</b>	
	Checked: Beson. zhan	Document/Rev: 00	
	Approved: Anson. zhan	Date of Recognition: Dec./03/2019	

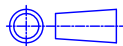
General data 4-pins base

PARAMETER	SPECIFICATION
Coil former material	polybutyleneterephthalate (PBT), glass reinforced, flame retardant in accordance with "UL 94V-0"; UL file number E59481
Pin material	copper-tin alloy (CuSn), tin (Sn) plated
Maximum operating temperature	130 °C, "IEC 60085", class B
Resistance to soldering heat	"IEC 60068-2-20", Part 2, Test Tb, method 1B, 350 °C, 3.5 s
Soldeerability	"IEC 60068-2-20", Part 2, Test Ta, method 1



Tolerances unless otherwise specified:  
 $0 < L \leq 4 \pm 0.10$     $4 < L \leq 16 \pm 0.20$   
 $16 < L \leq 45 \pm 0.30$     $45 \leq L \pm 0.40$   
 Pin Dim:  $\pm 0.05$    Thickness:  $\pm 0.20$    Pin Pitch:  $\pm 0.20$

Dimensions:  
(mm)



TYPE NUMBER: BASE-044-1-4P

Mould No.:

Bobbin material: PBT/4830 NC

Code No.: FAY01033

Available for Fuan core:



Fuan Electronics

TEL :0086-514-87693589  
 EML :sales@fuantronics.net  
 WEB:www.fuantronics.net

Make: P.Xiao

Material Number: A4N441000036

Checked: Beson. zhan

Document/Rev: 00

Approved: Anson. zhan

Date of Recognition: Dec./07/2019