

THROUGH-HOLE AXIAL CONFORMAL COATED INDUCTORS FALGA0410 SERIES



FEATURES:

Magnetic Core
Wire-wound construction
Heat resistant epoxy resin
High reliability - Ideal for automatic insertion
Small size - Low Cost

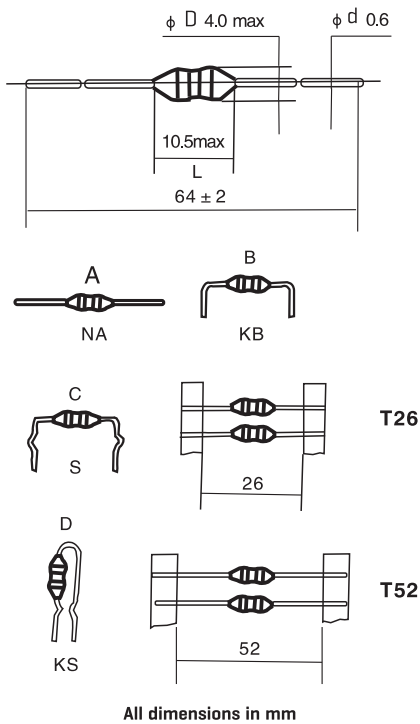
OPTIONS:

Packaging: Tape & Reel is Standard
(Qty: 5000 pcs)
Bulk packaging available for smaller quantities
Tolerance: 10% is standard
tighter tolerances available.

COMMON APPLICATIONS:

VCRs
Automotive Systems
Computer Peripheral Equipment
Televisions
Electronic Games
Mobile Communications Equipment
General Electronic Applications

PHYSICAL CHARACTERISTICS



STANDARD SPECIFICATIONS

Part Number	L [μH]	Tol ±%	Q min	L Test Freq [MHz]	S.R.F [MHz]	RDC (Ω) Max	IDC [mA]
FALGA0410-R22M	0.22	20	45	25.2	300	0.10	1400
FALGA0410-R27M	0.27	20	45	25.2	270	0.11	1320
FALGA0410-R33M	0.33	20	45	25.2	250	0.12	1280
FALGA0410-R39M	0.39	20	45	25.2	230	0.13	1200
FALGA0410-R47M	0.47	20	45	25.2	220	0.14	1150
FALGA0410-R56M	0.56	20	45	25.2	200	0.15	1100
FALGA0410-R68M	0.68	20	45	25.2	190	0.16	1030
FALGA0410-R82M	0.82	20	45	25.2	172	0.17	980
FALGA0410-1R0M	1.0	20	45	25.2	157	0.19	920
FALGA0410-1R2M	1.2	20	50	7.96	144	0.21	880
FALGA0410-1R5M	1.5	20	50	7.96	131	0.23	830
FALGA0410-1R8M	1.8	20	55	7.96	121	0.25	790
FALGA0410-2R2M	2.2	20	55	7.96	110	0.28	750
FALGA0410-2R7M	2.7	20	60	7.96	100	0.30	720
FALGA0410-3R3K	3.3	10	65	7.96	94	0.34	670
FALGA0410-3R9K	3.9	10	65	7.96	55	0.37	640
FALGA0410-4R7K	4.7	10	70	7.96	56	0.39	620
FALGA0410-5R6K	5.6	10	70	7.96	48	0.43	590
FALGA0410-6R8K	6.8	10	75	7.96	37	0.48	550
FALGA0410-8R2K	8.2	10	80	7.96	25	0.52	530
FALGA0410-100K	10	10	65	7.96	21	0.58	500
FALGA0410-120K	12	10	50	2.52	19	1.63	480
FALGA0410-150K	15	10	50	2.52	17	0.72	460
FALGA0410-180K	18	10	50	2.52	13	0.77	430
FALGA0410-220K	22	10	50	2.52	9.6	0.84	410
FALGA0410-270K	27	10	55	2.52	7.2	0.94	390
FALGA0410-330K	33	10	55	2.52	6.6	1.03	370
FALGA0410-390K	39	10	50	2.52	6.6	1.12	350
FALGA0410-470K	47	10	45	2.52	6.3	1.22	340
FALGA0410-560K	56	10	40	2.52	6.2	1.34	320
FALGA0410-680K	68	10	40	2.52	5.7	1.47	305
FALGA0410-820K	82	10	35	2.52	5.3	1.62	290
FALGA0410-101K	100	10	30	2.52	4.8	1.80	275
FALGA0410-121K	120	10	55	0.796	3.8	3.70	185
FALGA0410-151K	150	10	45	0.796	3.5	4.20	175
FALGA0410-181K	180	10	50	0.796	3.3	4.60	165
FALGA0410-221K	220	10	55	0.796	3.0	5.10	155
FALGA0410-271K	270	10	65	0.796	2.8	5.80	145
FALGA0410-331K	330	10	65	0.796	2.6	6.40	137
FALGA0410-391K	390	10	65	0.796	2.4	7.00	133
FALGA0410-471K	470	10	60	0.796	2.25	7.70	126
FALGA0410-561K	560	10	60	0.796	2.10	8.50	120
FALGA0410-681K	680	10	55	0.796	1.95	9.40	113
FALGA0410-821K	820	10	55	0.796	1.85	10.5	105
FALGA0410-102K	1000	10	50	0.796	1.40	14.0	100

Note: 1. K=±10%, M=±20%

TECHNICAL INFORMATION

1- Ordering Cod

LGA 04 10 KB - 101 K T52
[1] [2] [3] [4] [5] [6] [7]

- [1] Type
[2] Outside
[3] Body Length
[4] Formed Type
[5] Nominal Inductance
[6] Inductance Tolerance
[7] Tape Type

Testing: [Equivalent acceptable]

Inductance-Hp 4285A

RDC: QuadTech 1880 Milliohm meter

Q-HP 4342A

SRF-HP 4191A

IDC Max: The maximum DC value having inductance

decrease within 10% and temperature increase within 20°C by the application of DC Bias

Operating temperature: -25°C to +10

Storage temperature: -40°C to +85°C

Solderability: Temperature @ 230°C ±5°C for 2 seconds

Marking: EIA 4 band color code

Note: All specifications subject to change without notice.