

THROUGH-HOLE RADIAL POWER CHOKES FALCH4W SERIES 1006,1008,1010,1014



FEATURES:

Wire-wound Structure
Excellent heat resistance
Excellent environmental characteristics
High reliability

OPTIONS:

Packaging: Bulk is standard
Tolerance: 10% is standard
tighter tolerances available

COMMON APPLICATIONS:

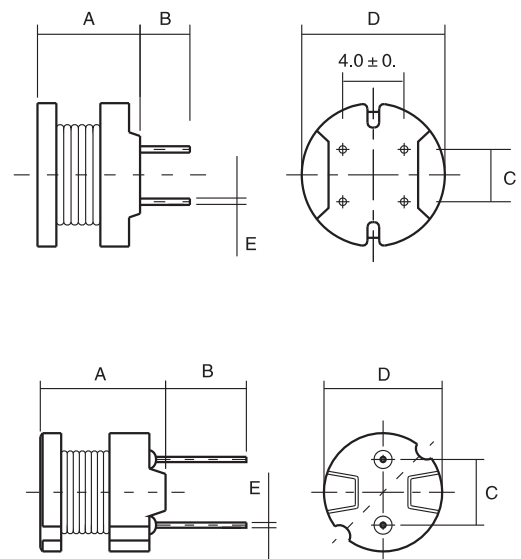
Power Supplies
SCR and TRIAC Controls
RFI Suppression
Filters
Switching Regulators

ELECTRICAL CHARACTERISTICS

Part number FALCHB-xxxx-	Inductance [μ H]	DCR(Ω)Max				IDC(A)			
		1006	1008	1010	1014	1006	1008	1010	1014
6R3M	6.3				0.260				4.30
7R5M	7.5				0.290				4.20
100M	10	0.040	0.027	0.022	0.033	3.60	4.50	5.30	4.00
120M	12	0.044	0.031	0.023	0.035	3.30	4.10	4.90	3.90
150M	15	0.058	0.035	0.026	0.039	2.90	3.70	4.40	3.70
180M	18	0.064	0.049	0.033	0.047	2.70	3.40	4.00	3.50
220M	22	0.088	0.055	0.037	0.051	2.40	3.10	3.60	3.30
270M	27	0.100	0.062	0.048	0.057	2.20	2.80	3.30	3.10
330M	33	0.110	0.079	0.055	0.064	2.00	2.50	2.90	2.90
390M	39	0.140	0.087	0.073	0.074	1.80	2.30	2.70	2.70
470M	47	0.160	0.099	0.083	0.083	1.70	2.10	2.50	2.50
560M	56	0.190	0.130	0.092	0.104	1.50	1.90	2.30	2.30
680M	68	0.220	0.140	0.120	0.117	1.40	1.70	2.10	2.10
820M	82	0.290	0.160	0.140	0.130	1.30	1.60	1.90	1.90
101K	100	0.320	0.210	0.160	0.143	1.30	1.40	1.70	1.70
121K	120	0.380	0.240	0.200	0.195	1.20	1.30	1.50	1.50
151K	150	0.500	0.320	0.230	0.221	1.00	1.20	1.40	1.40
181K	180	0.560	0.350	0.310	0.260	0.84	1.10	1.30	1.30
221K	220	0.780	0.450	0.340	0.350	0.76	0.96	1.10	1.20
271K	270	0.920	0.610	0.400	0.390	0.69	0.87	1.00	1.10
331K	330	1.10	0.690	0.520	0.520	0.62	0.79	0.93	1.00
391K	390	1.30	0.780	0.650	0.570	0.57	0.72	0.86	0.92
471K	470	1.50	1.00	0.710	0.650	0.52	0.66	0.78	0.84
561K	560	1.90	1.20	1.00	0.790	0.48	0.60	0.71	0.75
681K	680	2.20	1.40	1.10	0.960	0.43	0.55	0.65	0.69
821K	820	2.60	1.80	1.30	1.22	0.40	0.50	0.59	0.62
102K	1000	3.20	2.10	1.70	1.60	0.36	0.45	0.53	0.52
122K	1200				2.20				0.46
152K	1500				2.50				0.41
182K	1800				2.90				0.36
222K	2200				3.20				0.32
272K	2700				3.70				0.29
332K	3300				5.00				0.27
392K	3900				5.60				0.25
472K	4700				7.40				0.23
562K	5600				8.20				0.21
682K	6800				11.9				0.19
822K	8200				14.0				0.17
103K	10000				16.0				0.16
123K	12000				21.0				0.15
153K	15000				24.0				0.14
183K	18000				27.0				0.13
223K	22000				34.0				0.12
273K	27000				39.0				0.11
333K	33000				51.0				0.10
393K	39000				58.0				0.09

Note:1. K= \pm 10%,M= \pm 20%

PHYSICAL CHARACTERISTICS



Dimension: mm

Part Number	A	B	C	D	E
FALCH4W1006	6.5Max	3.5 \pm 1.5	5.0 \pm 0.3	10.5Max	0.7
FALCH4W1008	8.5Max	3.5 \pm 1.5	5.0 \pm 0.3	10.5Max	0.7
FALCH4W1010	10.5Max	3.5 \pm 1.5	5.0 \pm 0.3	10.5Max	0.7
FALCH 1014	14.4Max	5.0 \pm 1.5	5.0 \pm 0.3	10.5Max	0.7
FALCH4W1014	14.4Max	5.0 \pm 1.5	5.0 \pm 0.3	10.5Max	0.7

TECHNICAL INFORMATION

Testing:LCR Bridge measured @ 1KHz

[Equivalent acceptable]

RDC: QuadTech 1880 Milliohmeter

IDC Max: Lowers inductance by 10%

Operating temperature: -55°C to +125°C

Marking: Inductance and tolerance

Note:All specifications subject to change without notice.