

# CURRENT-COMPENSATED FRAME CORE DOUBLE CHOKES FACM22V1,V2-S SERIES



## FEATURES

Rated voltage 250 VAC.  
Rated current 0.5A to 8A.  
Rated inductance 0.45mH to 56 mH.  
Turns ratio: N1:N2=1:1±2%.  
Hi-Pot: Pri-Sec: 1500VAC /5mA /2Seconds.  
Test Frequency Response: 10KHz, 100mV.  
Inductance tolerance: +50/-30% at 20°C.  
Operating temperature: -40°C to +105°C.  
All parts meet ROHS compliance.

## PRODUCT IDENTIFICATION

CM 22 V1 473 Y OR6 E  
a b c d e f g

a: Common mode

b: Size

c: V Vertical Install shape, H Horizontal Install shape

d: Inductance Value [101:100uH; 102:1000uH; 103:10000uH]

e: Inductance tolerance: +50/-30%

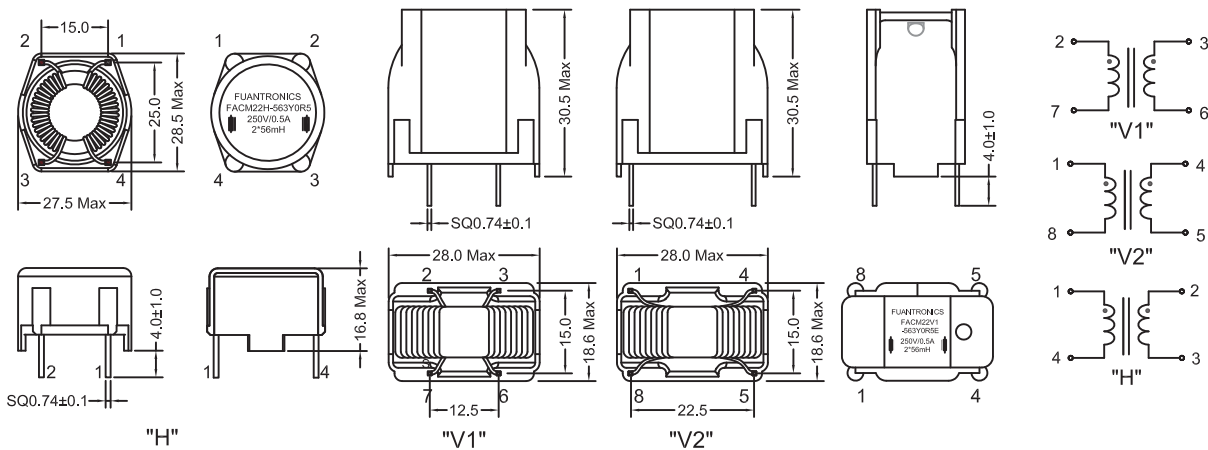
f: Rated current [0R2:0.2A; 1R2:1.2A; 10R2:12A]

g: Epoxy Encapsulation

## ELECTRICAL CHARACTERISTICS

Part Number			Inductance [mH] +50/-30%	Leakage inductance [uH]typ	D.C. Resistance [mΩ] Typ at 20°C	Rated current [mA]
FACM22V1-563YOR5	FACM22V2-563YOR5	FACM22H-563YOR5	56	680	1800	500
FACM22V1-473YOR6	FACM22V2-473YOR6	FACM22H-473YOR6	47	580	1450	600
FACM22V1-393Y1R0	FACM22V2-393Y1R0	FACM22H-393Y1R0	39	430	750	1000
FACM22V1-273Y1R4	FACM22V2-273Y1R4	FACM22H-273Y1R4	27	270	440	1400
FACM22V1-103Y1R8	FACM22V2-273Y1R4	FACM22H-273Y1R4	10	130	240	1800
FACM22V1-562Y2R0	FACM22V2-562Y2R0	FACM22H-562Y2R0	5.6	70	160	2000
FACM22V1-272Y4R0	FACM22V2-272Y4R0	FACM22H-272Y4R0	2.7	30	60	4000
FACM22V1-102Y6R0	FACM22V2-102Y6R0	FACM22H-102Y6R0	1.0	12	22	6000
FACM22V1-451Y8R0	FACM22V2-451Y8R0	FACM22H-451Y8R0	0.45	5	11	8000

## TECHNICAL INFORMATION



**DIMENSIONS:MM**

Tolerance: .X ±0.50 .XX ±0.25