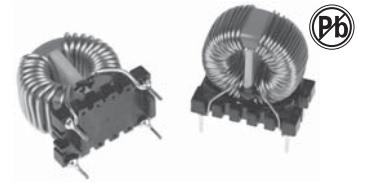


# CURRENT-COMPENSATED FRAME CORE DOUBLE CHOKES FACM14,20 BV SERIES



## FEATURES

Rated voltage 250 VAC.  
Rated current 0.5A to 15A.  
Rated inductance 1.0mH to 20 mH.  
Turns ratio: N1:N2=1:1 ± 2%.  
Hi-Pot: Pri-Sec: 1500VAC /5mA /2Seconds.  
Test Frequency Response: 10KHz, 100mV.  
Inductance tolerance: Min at 20°C.  
Operating temperature: -40°C to +105°C.  
All parts meet ROHS compliance.

## PRODUCT IDENTIFICATION

$$\frac{CM}{a} \frac{14}{b} \frac{BV}{c} \frac{103}{d} \frac{Y}{e} \frac{0R7}{f}$$

a: Common mode

b: Size

c: Vertical Install shape

d: Inductance Value [101:100uH; 102:1000uH; 103:10000uH]

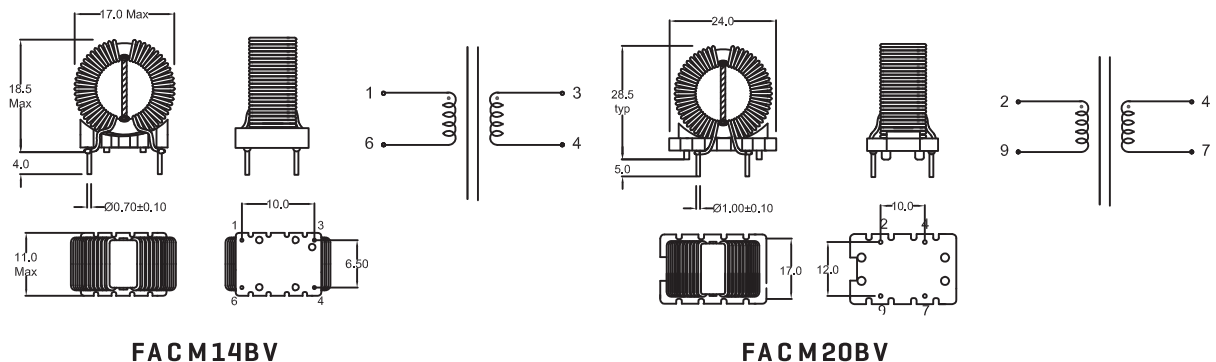
e: Inductance tolerance: minimum value

f: Rated current [0R2:0.2A; 1R2:1.2A; 10R2:12A]

## ELECTRICAL CHARACTERISTICS

Part Number	Inductance [mH]Min	D.C.R [Ω] Max at 20°C	Rated current [A]	Part Number	Inductance [mH]Min	D.C.R [Ω] Max at 20°C	Rated current [A]
FACM14BV-153Y0R5	15	0.50	0.5	FACM20BV-203Y1R2	20	0.25	1.2
FACM14BV-123Y0R6	12	0.40	0.6	FACM20BV-153Y1R5	15	0.17	1.5
FACM14BV-103Y0R7	10	0.30	0.7	FACM20BV-103Y2R0	10	0.13	2.0
FACM14BV-822Y1R0	8.2	0.20	1.0	FACM20BV-822Y2R5	8.2	0.10	2.5
FACM14BV-562Y1R3	5.6	0.15	1.3	FACM20BV-682Y3R0	6.8	0.08	3.0
FACM14BV-392Y1R5	3.9	0.10	1.5	FACM20BV-562Y3R5	5.6	0.06	3.5
FACM14BV-332Y2R0	3.3	0.08	2.0	FACM20BV-472Y4R0	4.7	0.05	4.0
FACM14BV-272Y2R5	2.7	0.06	2.5	FACM20BV-392Y5R0	3.9	0.04	5.0
FACM14BV-202Y3R0	2.0	0.04	3.0	FACM20BV-272Y6R5	2.7	0.03	6.5
FACM14BV-152Y3R5	1.5	0.03	3.5	FACM20BV-222Y8R0	2.2	0.02	8.0
FACM14BV-102Y4R0	1.0	0.02	4.0	FACM20BV-182Y10R0	1.8	0.015	10.0
				FACM20BV-152Y12R0	1.5	0.010	12.0
				FACM20BV-102Y15R0	1.0	0.007	15.0

## TECHNICAL INFORMATION



**DIMENSIONS:MM** Tolerance: .X ±0.50 .XX ±0.25