

10/100/1000BASE-T MAGNETICS MODULES FAHS2410,2411



FEATURES:

- 1:1 Turns Ratio
- Full Duplex Compatible
- Poe MAGNETICS
- Compliant with IEE 802.3u and ANSI X.3.263 standards including 350uH OCL with 8mA bias

OPTIONS:

- Bulk upon request
- Custom Design Available
- Thru Hole Available

COMMON APPLICATIONS:

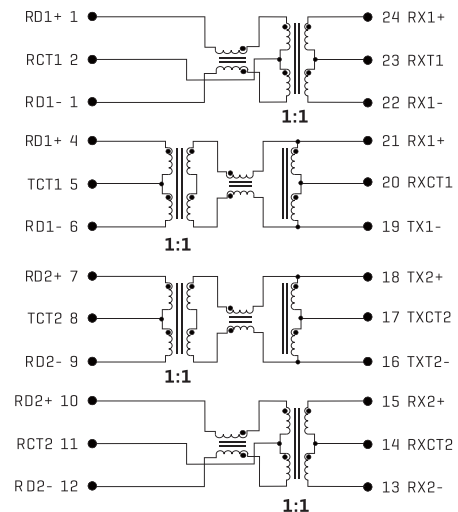
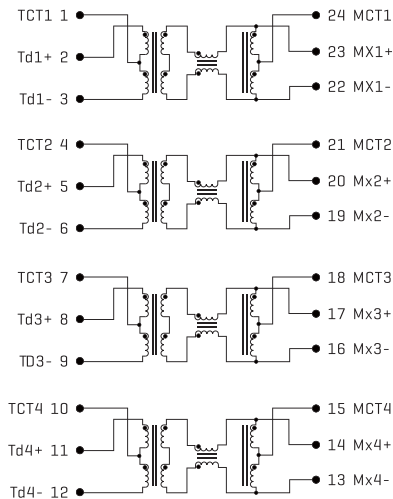
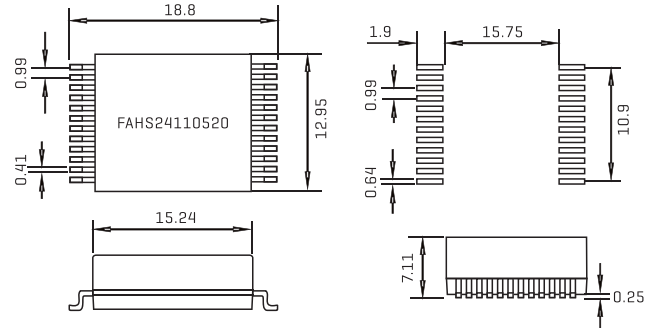
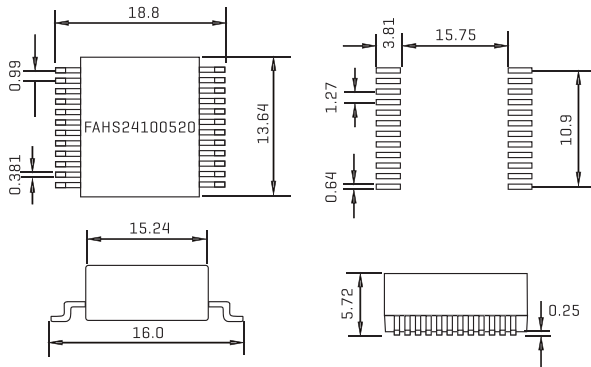
- Cable interface for isolation and low common mode emissions
- Designed to fit behind 1*1 RJ45 connector
- Hs2411 Designed for IP phone or Switch

ELECTRICAL SPECIFICATION@25°C -Operating Temperature 0°C to 70°C

Part number	Turns Ratio [±2%]	Insertion Loss [Max]	Return Loss [dB Min]					Crosstalk [dB Min]				Differential to Common Mode Rejection[dB Min]		Hi-pot [Vrms Min]
			0.1-100MHz	2-30MHz	40MHz	50MHz	60-80MHz	1KHz	30MHz	60MHz	100MHz	1-60MHz	60-200MHz	
FAHS2410	1CT:1CT	-1.0	-18	-14.4	-13.1	-12	-65	-50	-40	-35	-40	-35	1500	
FAHS2411	1CT:1CT	-1.2	-16	-14.0	-13.0	-12	-43	-37	-33	-50	-43	-35	1500	

TECHNICAL INFORMATION & PHYSICAL CHARACTERISTICS:

Primary OCL Tx & Rx:350uH Min@Idc=8mA
Hi-Pot:1500VRMS



Soldering methods:Wave,Reflow
Operating Temperature:0°C to 70°C
Storage Temperature:-55°C to 70°C

DIMENSIONS:mm
Unless otherwise specified all tolerances are±0.25
Note:All specifications subject to change without notice.