

ECONOMY AUDIO DRY(NO DC) COUPLING TRANSFORMERS FAAT SERIES



FEATURES

Metric size
Low cost
Dielectric strength-1000VAC (PRI-SEC-CORE)
Resistances $\pm 20\%$
All impedances $\pm 10\%$ [at 1kHz]

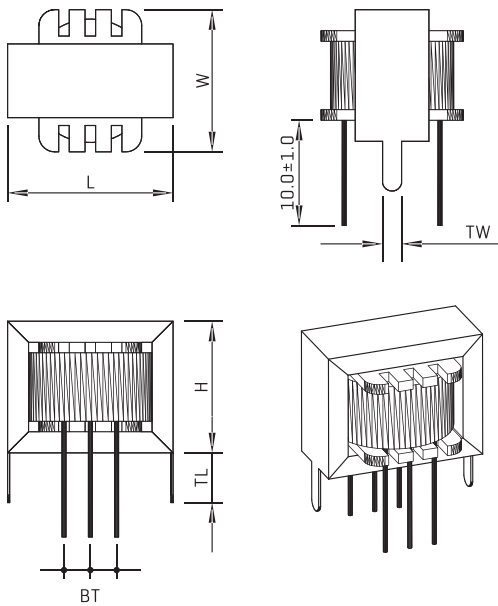
OPTIONS

Bulk packaging is standard
Custom design available

COMMON APPLICATIONS

Telephony
Audio coupling / isolating
Alarm system

PHYSICAL CHARACTERISTICS



ALL DIMENSIONS IN MM

Part No.	size 1 EI-14	size 2 EI-16	size 3 EI-19	size 4 EI-24
L	15.2	17.7	20.3	25.3
H	11.0	14.0	16.2	19.0
W	12.0	16.0	14.5	16.9
TW	2.0	2.2	2.2	2.6
TL	3.8	4.0	4.2	4.8
BT	2.5	2.8	3.0	4.5

Size 1: EI-14 series 0.75watts max. / TCW leads 0.4mm DIA.

Size 2: EI-16 series 0.1watts max. / TCW leads 0.43mm DIA.

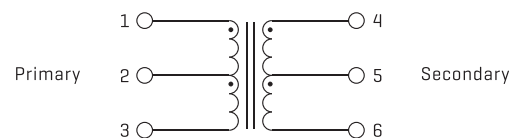
Size 3: EI-19 series 0.2watts max. / TCW leads 0.4mm DIA.

Size 4: EI-24 series 0.46watts max. / TCW leads 0.48mm DIA.

ELECTRICAL CHARACTERISTICS

Part No.	Size	Description	Impedance[°C]		DC Resistance	
			Pri.	Sec.	Pri.	Sec.
FAAT-201	1	Output	500 C.T.	8 C.T.	35	0.8
FAAT-130	1	Coupling	600 C.T.	600 C.T.	45	40
FAAT-202	1	Output	1K C.T.	8 C.T.	60	0.8
FAAT-203	1	Coupling	10K C.T.	600 C.T.	450	100
FAAT-204	1	Driver	10K C.T.	2K C.T.	500	200
FAAT-301	2	Output	500 C.T.	8 C.T.	22	0.8
FAAT-302	2	Interstage	500 C.T.	500 C.T.	30	28
FAAT-303	2	Output	1.2K C.T.	8 C.T.	80	0.8
FAAT-304	2	Output	48 C.T.	8 C.T.	2.5	0.5
FAAT-305	2	Output	200 C.T.	8 C.T.	12	0.8
FAAT-400	3	Output	200 C.T.	8 C.T.	12	0.8
FAAT-401	3	Output	500 C.T.	8 C.T.	26	0.8
FAAT-129	3	Coupling	600 C.T.	600 C.T.	65	55
FAAT-402	3	Output	800 C.T.	8 C.T.	40	0.8
FAAT-403	3	Output	1.2K C.T.	8 C.T.	80	0.8
FAAT-404	3	Interstage	1.5K C.T.	500 C.T.	120	50
FAAT-405	3	Coupling	10K C.T.	600 C.T.	600	100
FAAT-406	3	Driver	10K C.T.	2K C.T.	600	155
FAAT-500	4	Output	48 C.T.	8 C.T.	2.5	0.5
FAAT-501	4	Output	120 C.T.	8 C.T.	7	0.7
FAAT-502	4	Output	200 C.T.	8 C.T.	12	0.5
FAAT-503	4	Output	500 C.T.	8 C.T.	18	0.7
FAAT-504	4	Interstage	500 C.T.	500 C.T.	35	28
FAAT-505	4	Driver	10K C.T.	2K C.T.	600	155
FAAT-506	4	Output	1.2K C.T.	8 C.T.	75	0.8
FAAT-507	4	Coupling	600 C.T.	600 C.T.	65	55

TECHNICAL INFORMATION



Schematic